



Co-funded by the
Tempus Programme
of the European Union

Development of Embedded System Courses with implementation
of Innovative Virtual approaches for integration of Research,
Education and Production in UA, GE, AM



Presentation of P04
Zaporizhzhya National Technical University (ZNTU)
Zaporizhzhya, Ukraine

Work in Embedded Systems Laboratory.
Best students practices.

Anzhelika Parkhomenko
PhD, Associate professor



Co-funded by the
Tempus Programme
of the European Union

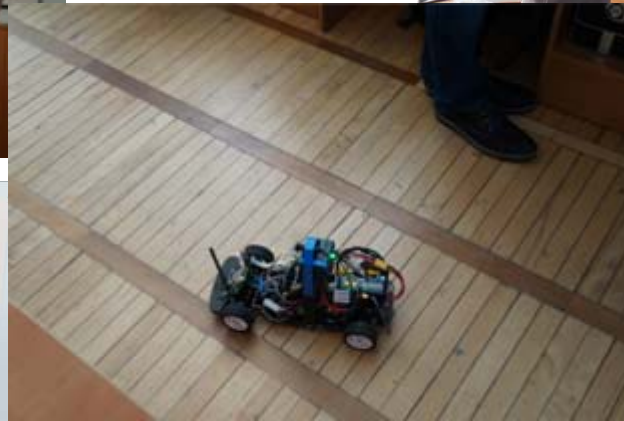
Development of Embedded System Courses with implementation of Innovative Virtual approaches for integration of Research, Education and Production in UA, GE, AM

<http://moodle.zntu.edu.ua/>





FPV auto project



Zaporizhzhya,
October 15, 2015



Moving objects control systems

Basic software requirement:

- minimum response time for input parameters;

Basic hardware requirements:

- compactness;
- energy consumption minimization.




Basic system requirements

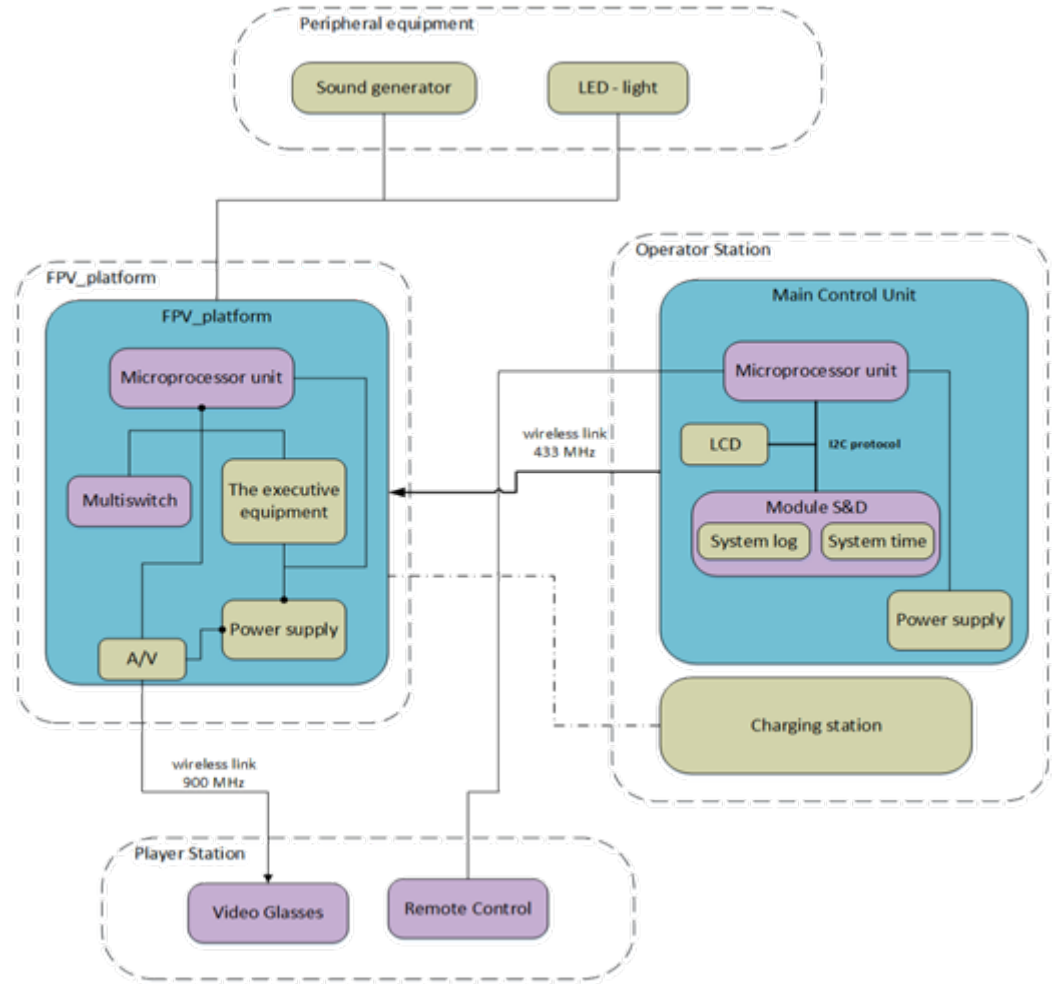
- expected behavior of the system;
- reliability;
- durability.





System architecture

-  Programmable components
-  Completed solutions
-  Constructive components





Development of programs for the microcontroller

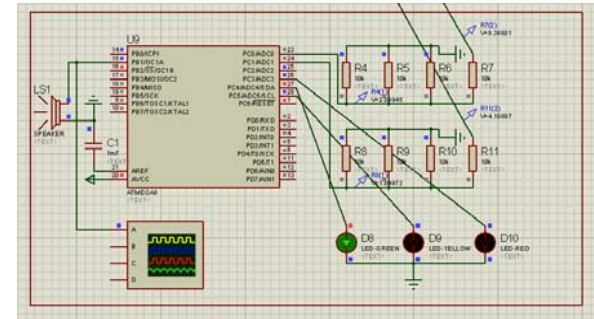
*.HEX - files



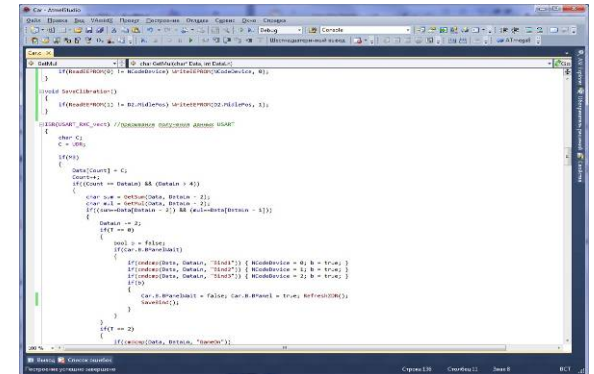
HEX



Programmer



Atmega 8A

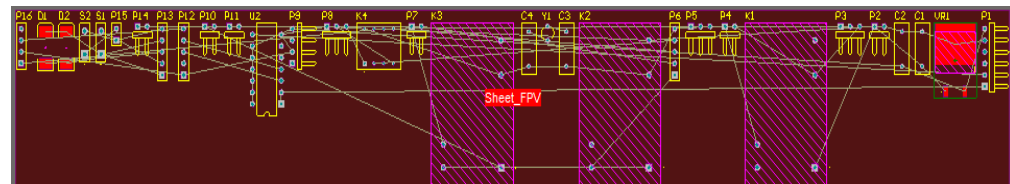
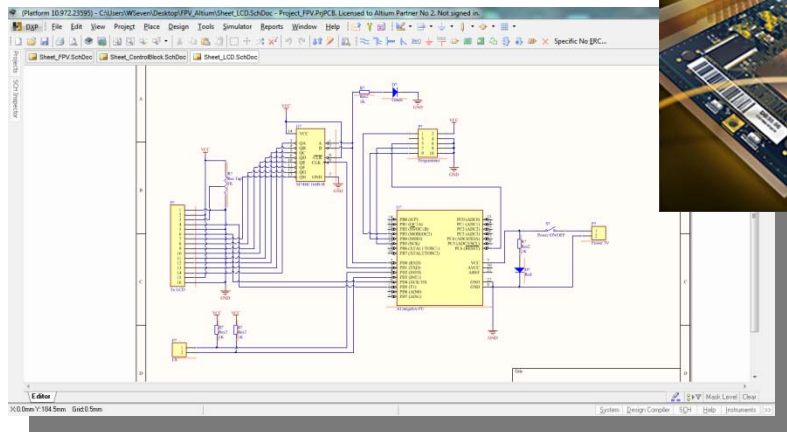
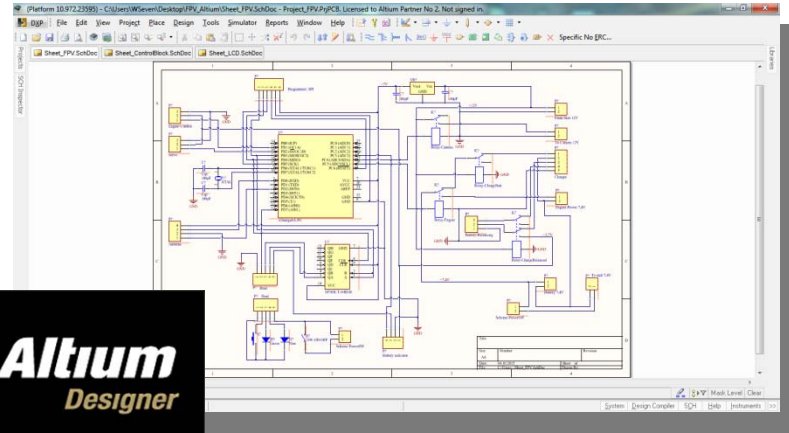
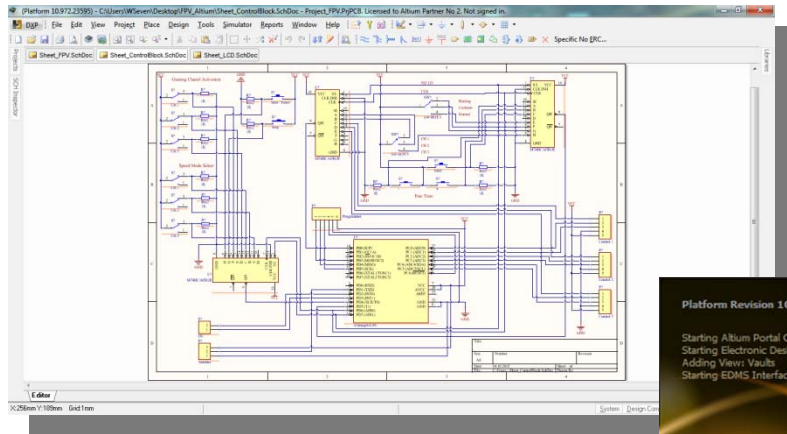




Co-funded by the
Tempus Programme
of the European Union

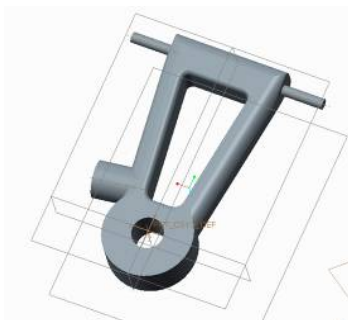
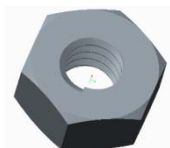
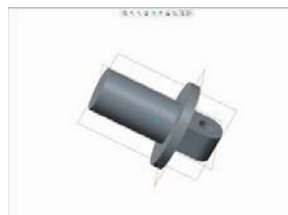
Development of Embedded System Courses with implementation of Innovative Virtual approaches for integration of Research, Education and Production in UA, GE, AM

Creation and investigation system virtual prototype

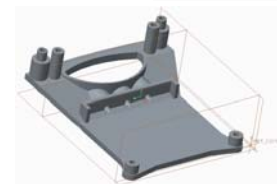
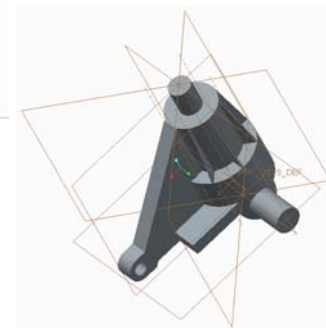
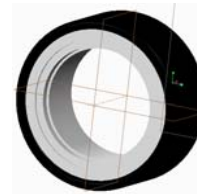




Creation and investigation system virtual prototype

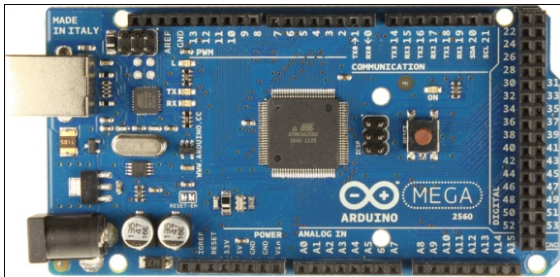


PTC[®] PRODUCT & SERVICE
ADVANTAGE[®]





Modern hardware and software platforms



Arduino



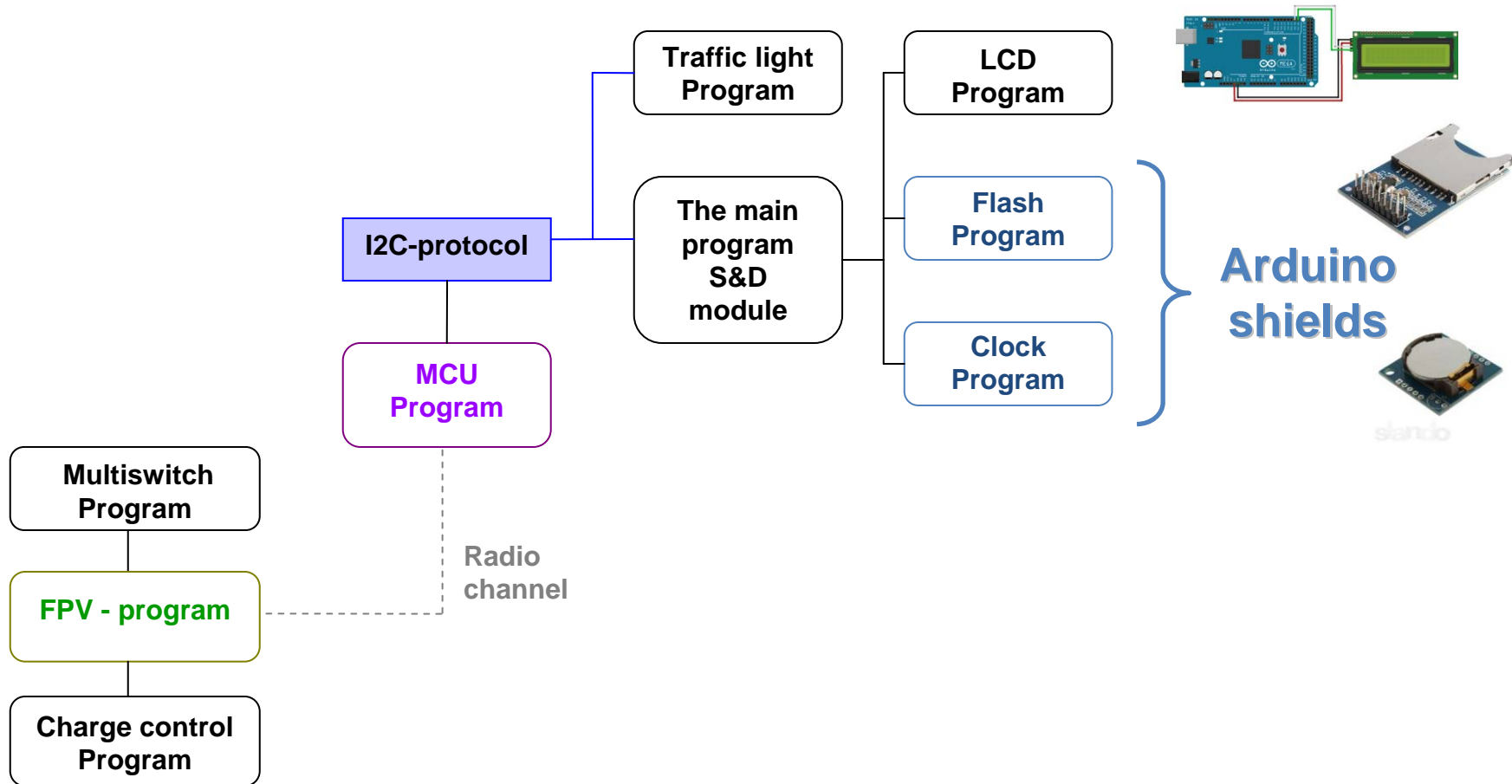
Raspberry Pi



Altera Cyclone

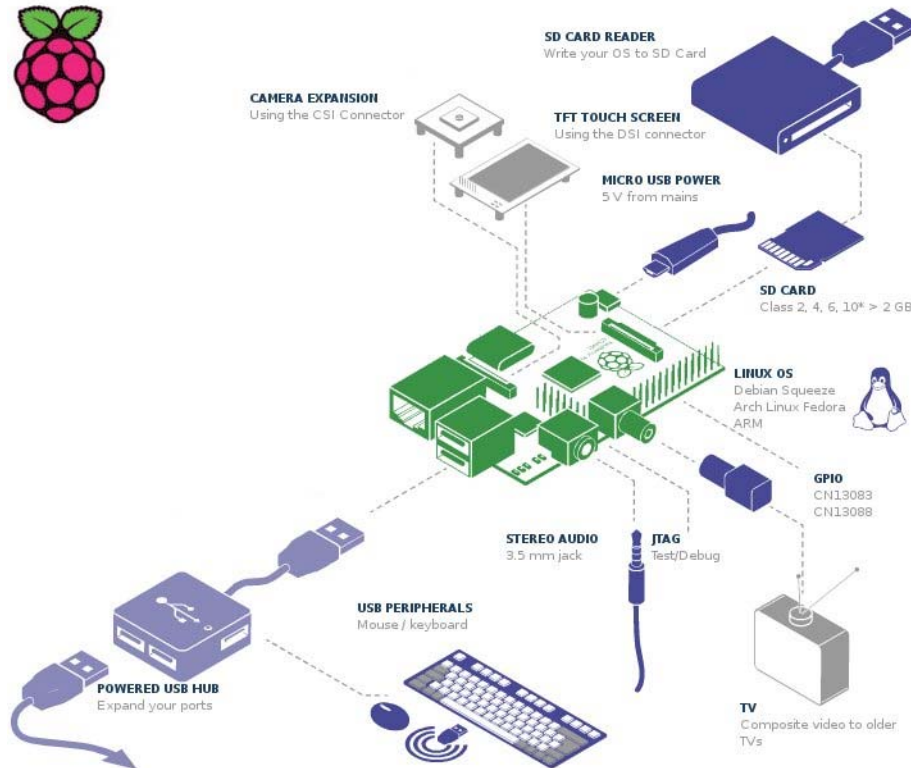
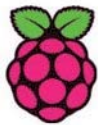


Bachelor work in progress based on Arduino



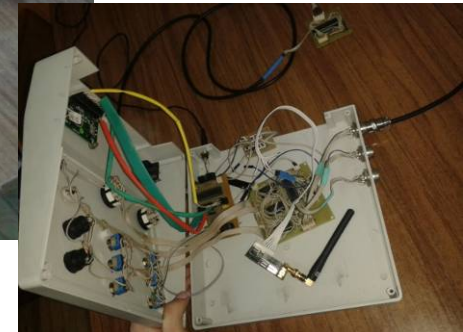


Bachelor work in progress based on Raspberry Pi



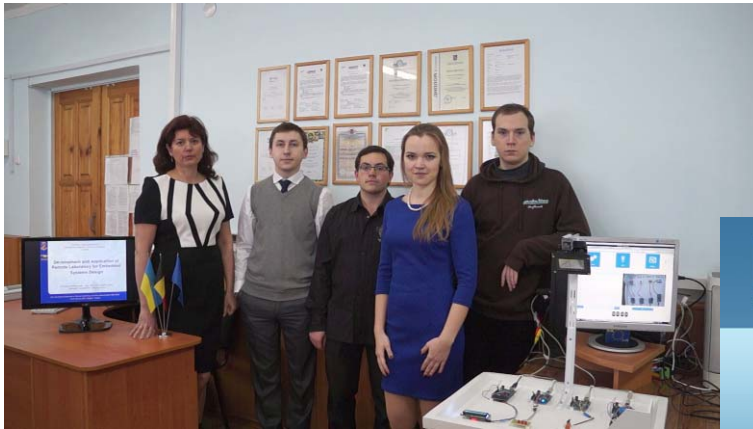


Real prototype

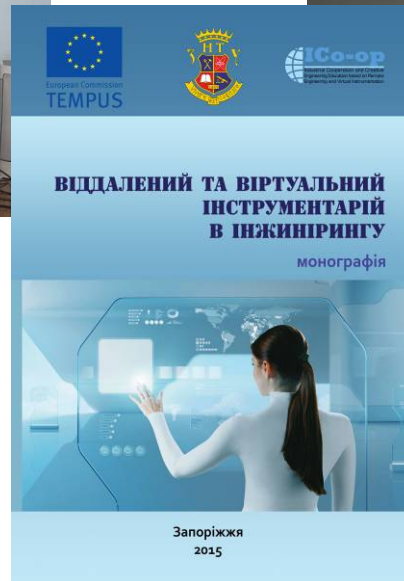




Development and Application of Remote Laboratory for Design of Embedded Systems (RELDES)



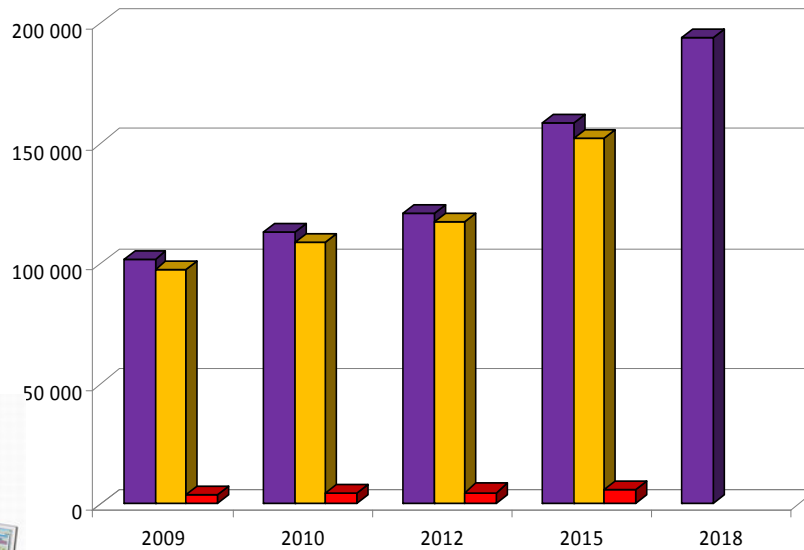
RELDES team



**Presentation of RL
Zaporizhzhya,
October 15, 2015**



ES today

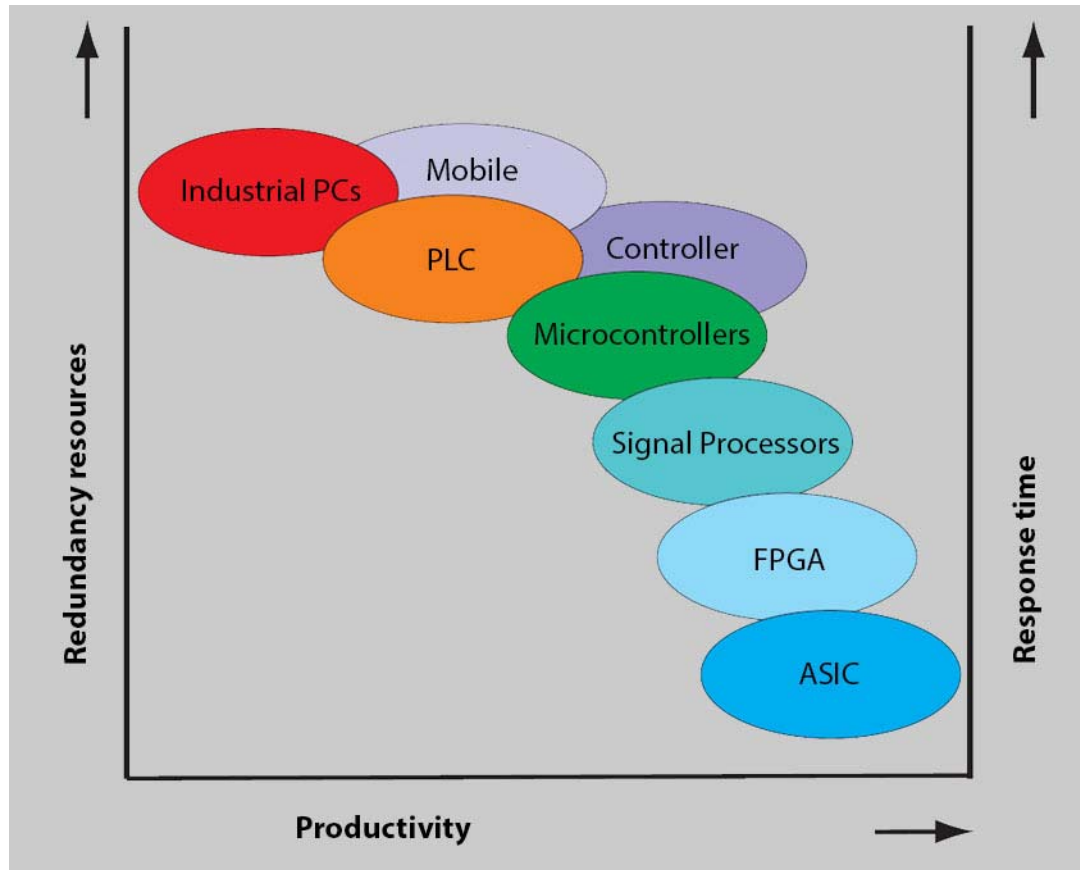


- Embedded System
- Embedded hardware
- Embedded software





ESs design technologies



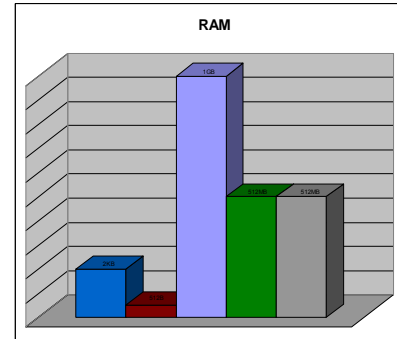
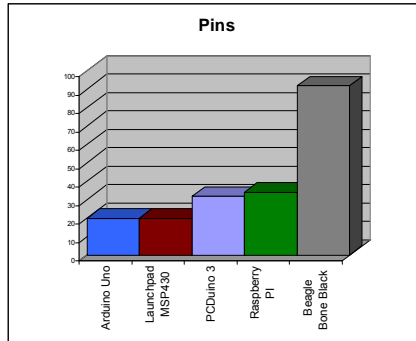
Platunov A.E, 2012



Hardware/software platforms for ES design



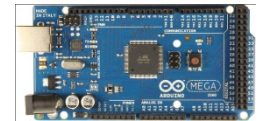
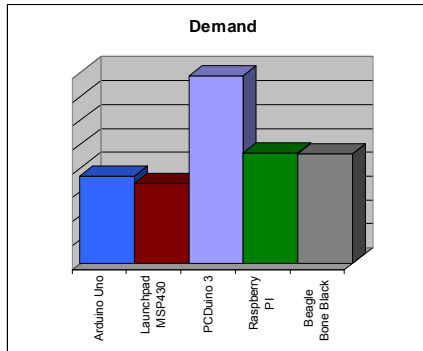
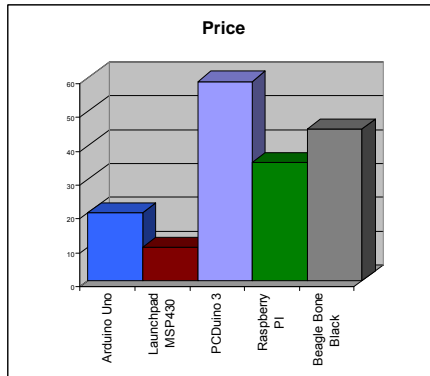
Launchpad
MSP430



Beagle Bone Black



Freeduino



Arduino



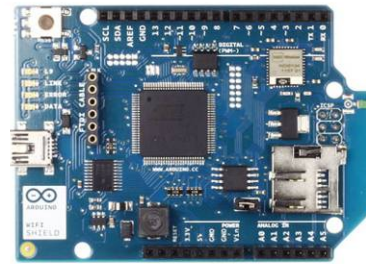
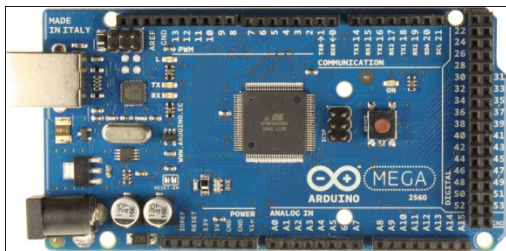
Raspberry Pi



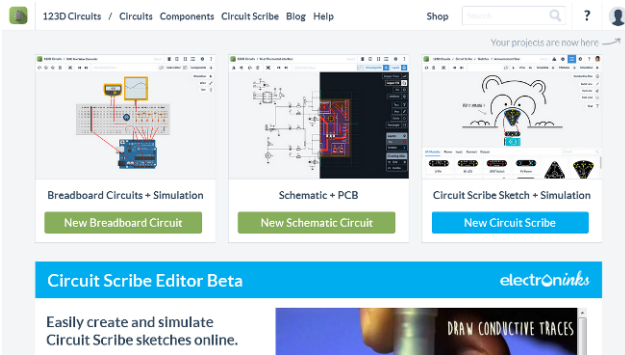
Altera Cyclone



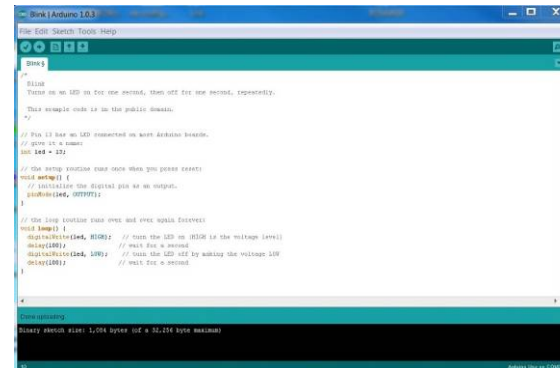
Hardware/software platform Arduino



Arduino boards and shields



Arduino simulator

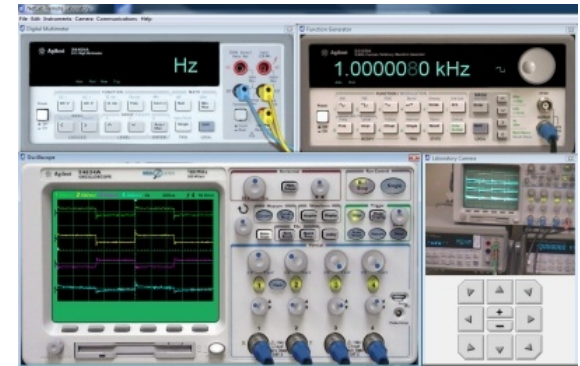
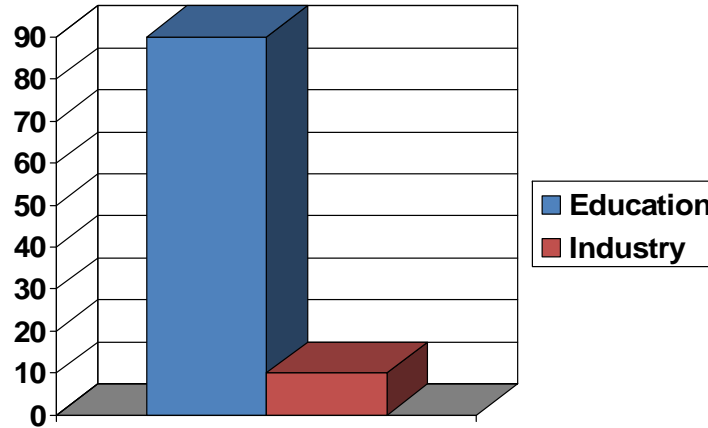


Arduino IDE



Applications of remote laboratories

- Electronics
- Robotics
- Physics
- Chemistry
- Biology
- Earth Science
- etc..





Remote laboratories in the fields of electronics

- GOLDI
- WEBENCH® Design Center
- DEUSTO
- Intel Remote.Lab
- iLabs



Part	Value	Quantity	Manufacturer	Footprint	Package	Manufacturer Part Number
U1000	U1000	1	Texas Instruments	U1000	SOIC8	U1000
U1001	U1001	1	Texas Instruments	U1001	SOIC8	U1001
U1002	U1002	1	Texas Instruments	U1002	SOIC8	U1002
U1003	U1003	1	Texas Instruments	U1003	SOIC8	U1003
U1004	U1004	1	Texas Instruments	U1004	SOIC8	U1004
U1005	U1005	1	Texas Instruments	U1005	SOIC8	U1005
U1006	U1006	1	Texas Instruments	U1006	SOIC8	U1006
U1007	U1007	1	Texas Instruments	U1007	SOIC8	U1007
U1008	U1008	1	Texas Instruments	U1008	SOIC8	U1008
U1009	U1009	1	Texas Instruments	U1009	SOIC8	U1009
U1010	U1010	1	Texas Instruments	U1010	SOIC8	U1010
U1011	U1011	1	Texas Instruments	U1011	SOIC8	U1011
U1012	U1012	1	Texas Instruments	U1012	SOIC8	U1012
U1013	U1013	1	Texas Instruments	U1013	SOIC8	U1013
U1014	U1014	1	Texas Instruments	U1014	SOIC8	U1014
U1015	U1015	1	Texas Instruments	U1015	SOIC8	U1015
U1016	U1016	1	Texas Instruments	U1016	SOIC8	U1016
U1017	U1017	1	Texas Instruments	U1017	SOIC8	U1017
U1018	U1018	1	Texas Instruments	U1018	SOIC8	U1018
U1019	U1019	1	Texas Instruments	U1019	SOIC8	U1019
U1020	U1020	1	Texas Instruments	U1020	SOIC8	U1020

Mis Experimentos

- Robot experiments
 - robot-movement
 - robot-progital
 - robot-standard

Powered by weblab4u

PC Board

Welcome to Ilmenau University of Technology Remote Laboratory

Control with: Microcontroller, PCB, Microcontroller, PCB

Physical system: 3-axis robot, Robot, Robot, Prototyping Board, Robot, Robot, Virtual

Production unit: Warehouse, Warehouse, Warehouse

Robot: Robot, Robot

Duration: 15 min

WebTHERM Results

View interactions between components

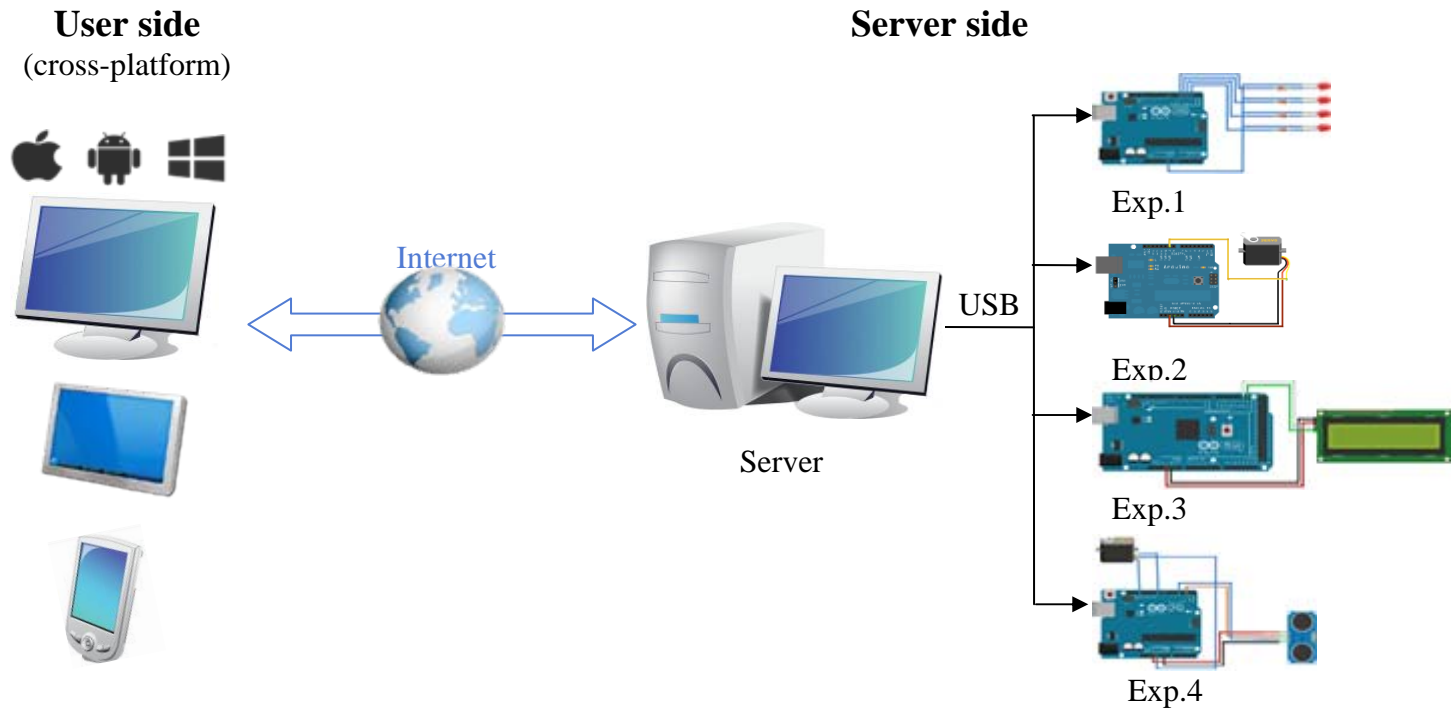
Diode and IC both generate heat

Effect of backside copper and vias

Layer	Min	Max	Power	Manufacturer	Part Number
IC: Die	29°C	4.23 W	Texas Instruments	LMC555DB	
L1	77°C	6.13 W	Cadsoft	85C048 1908.0	
D1	84°C	4.82 W	Shenzhen	ES6A0.2	
Cool	69°C	5.5e-1 W	TDK	C2015DRA1000	
Case	47°C	4.38e-1 W	TDK	C2015DRA1002	
PCB: Bottom	89°C				

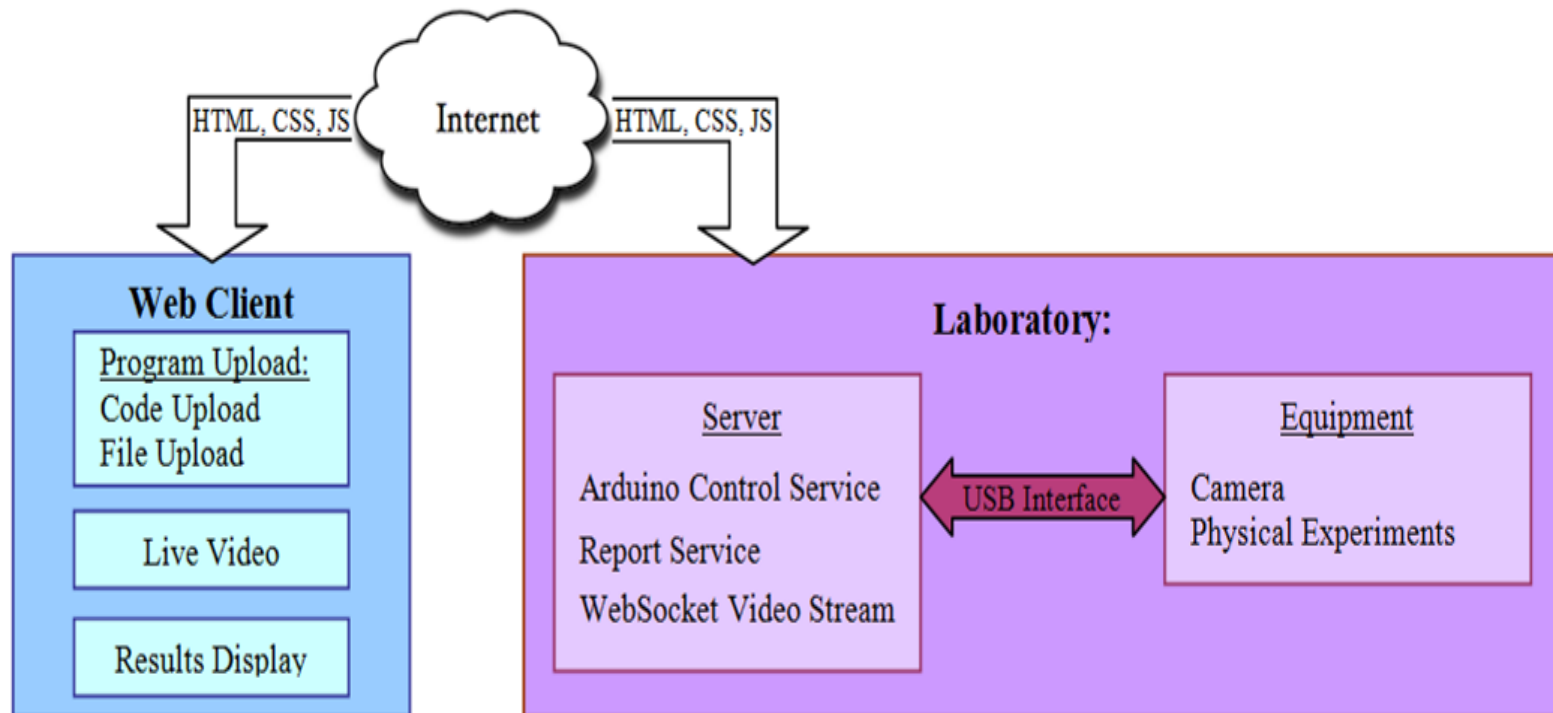


RELDDES Hardware architecture



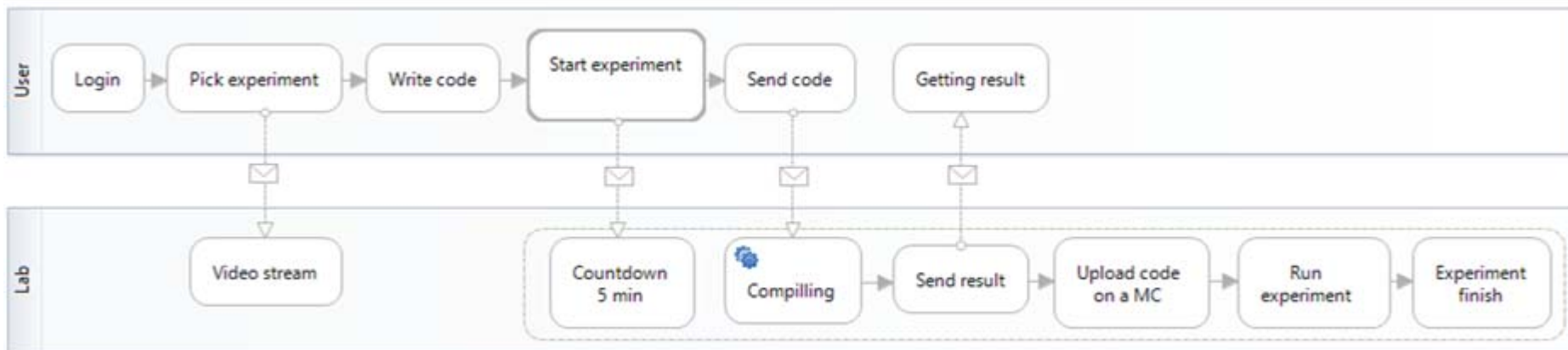


RELDDES Software architecture



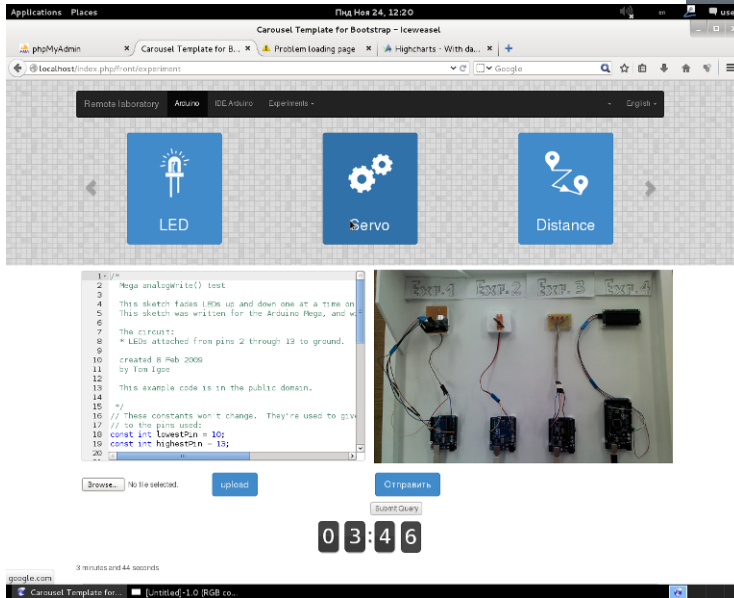
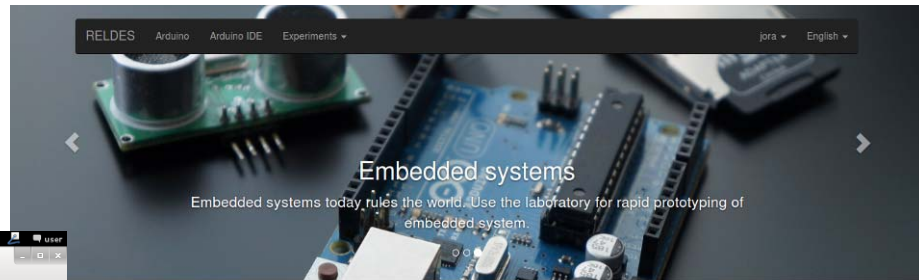


Laboratory process diagram





RELDES interface



<http://youtu.be/u2anq--UYFg>



Work in progress

Future work will be focused on :

- expanding the range of provided hardware-software platforms;
- adding the set of experiments for solution of different tasks of embedded systems of mobile objects control design;
- development of special mechanism of lab reservation;
- creation of statistical data processing module for control of laboratory using.



Co-funded by the
Tempus Programme
of the European Union

Development of Embeded System Courses with implementation
of Innovative Virtual approaches for integration of Research,
Education and Production in UA, GE, AM

CNC machine

for training students

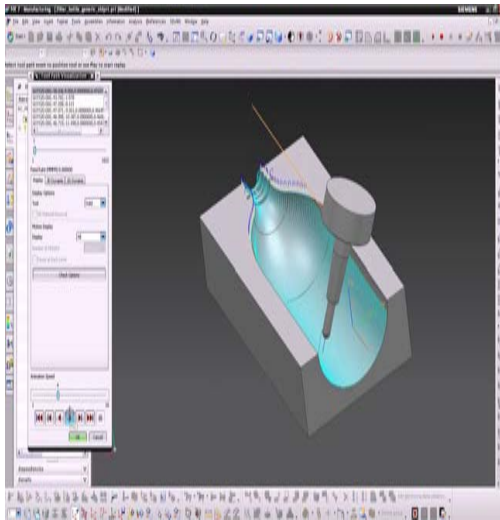


Presentation of project
Zaporizhzhya,
October 15, 2015

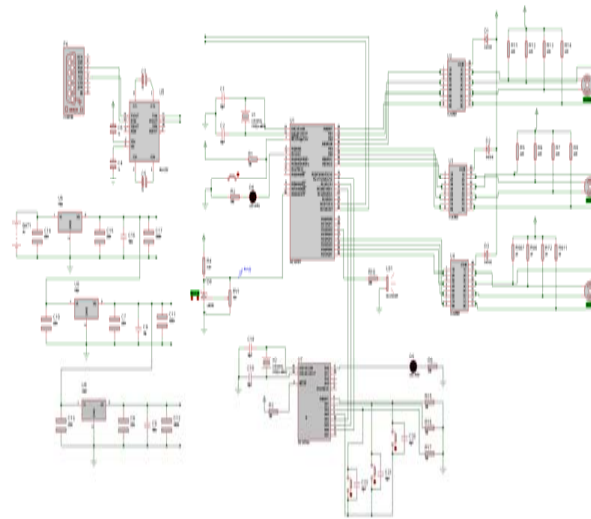
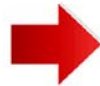




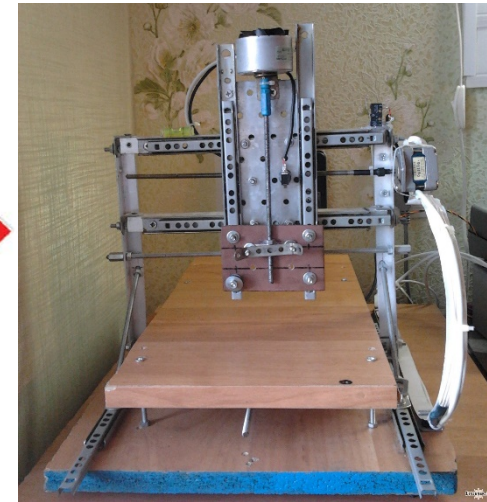
Project Overview



CREO 2.0



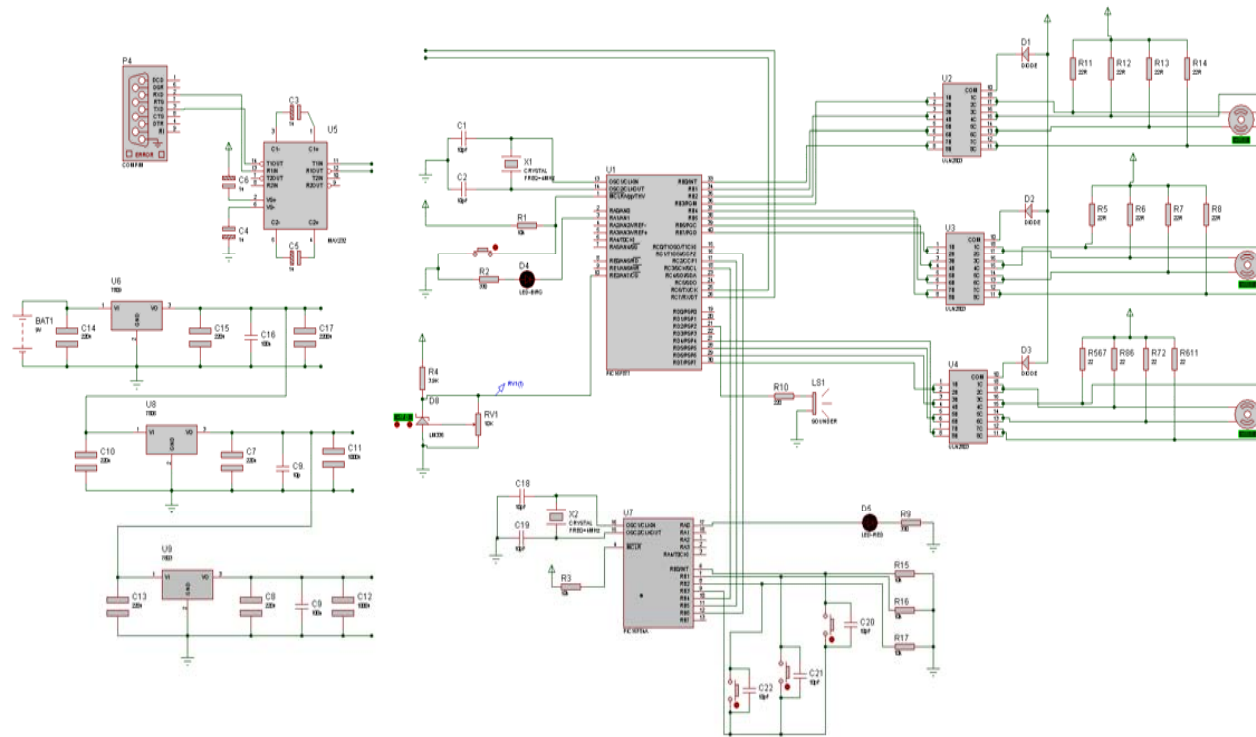
**Embedded
Control System**



CNC Machine



CNC Machine Control Unit

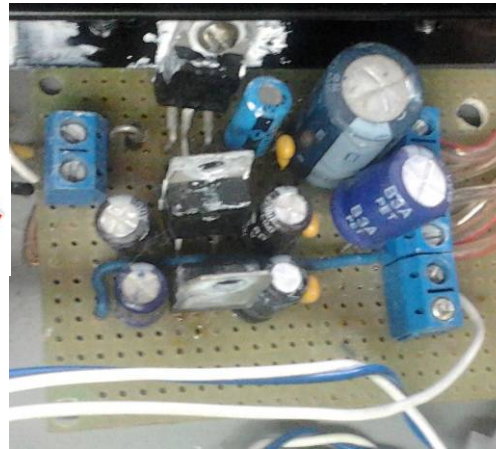
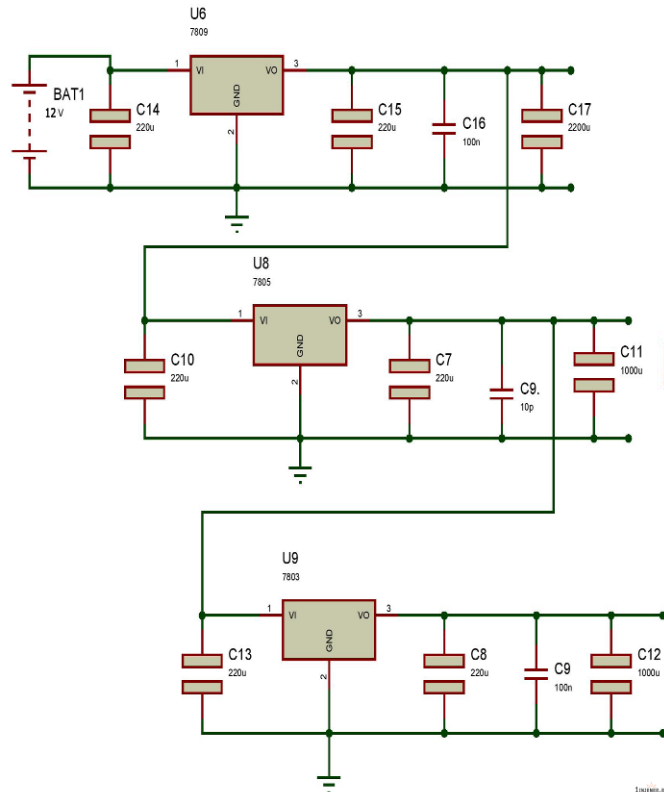


1. Power supply module
2. Commands transformation module
3. Motor control driver
4. Sensor control module

1INZENER.RU



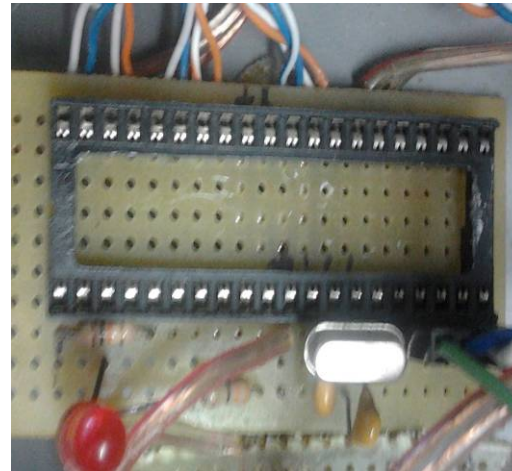
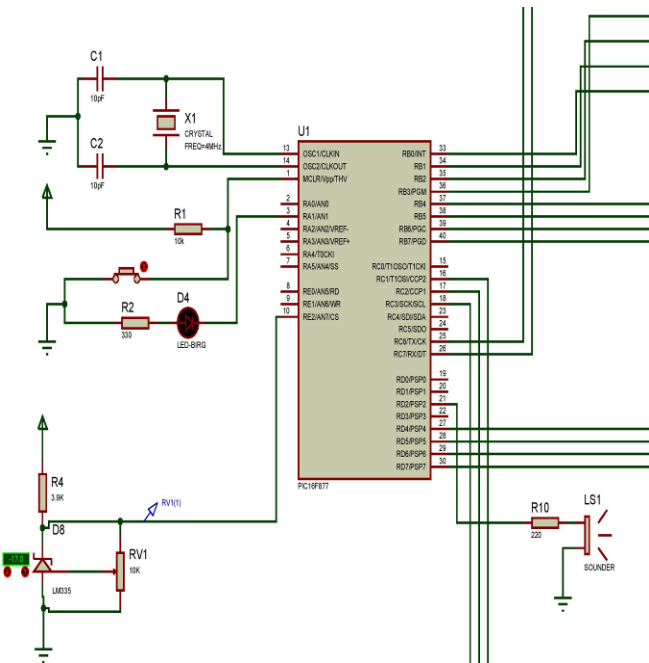
CNC Machine Control Unit



1. Power supply module
2. Commands transformation module
3. Motor control driver
4. Sensor control module

The main components: LM7805, LM7809, LM78033

CNC Machine Control Unit

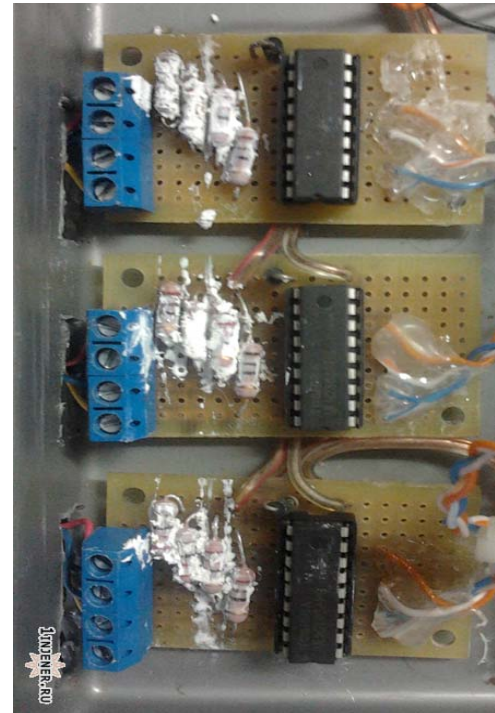
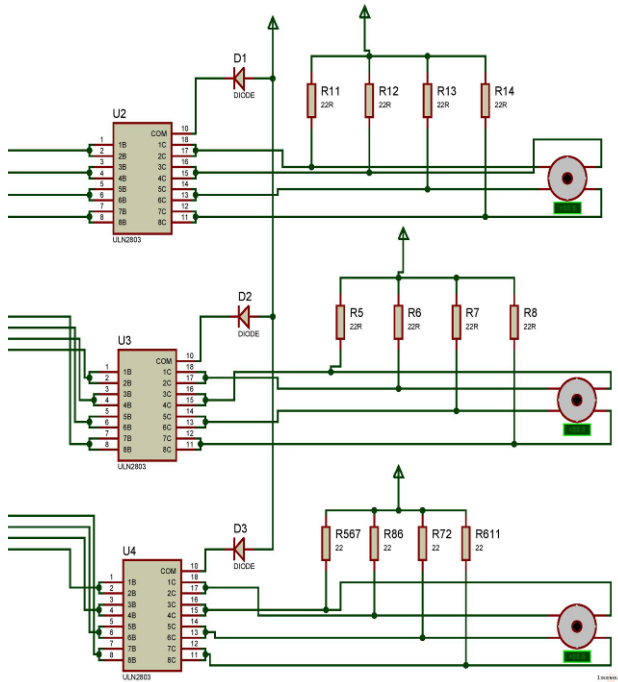


1. Power supply module
2. Commands transformation module
3. Motor control driver
4. Sensor control module

The main components : PIC16f877a



CNC Machine Control Unit

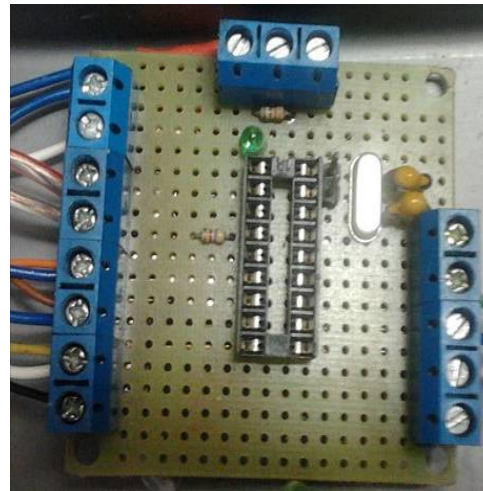
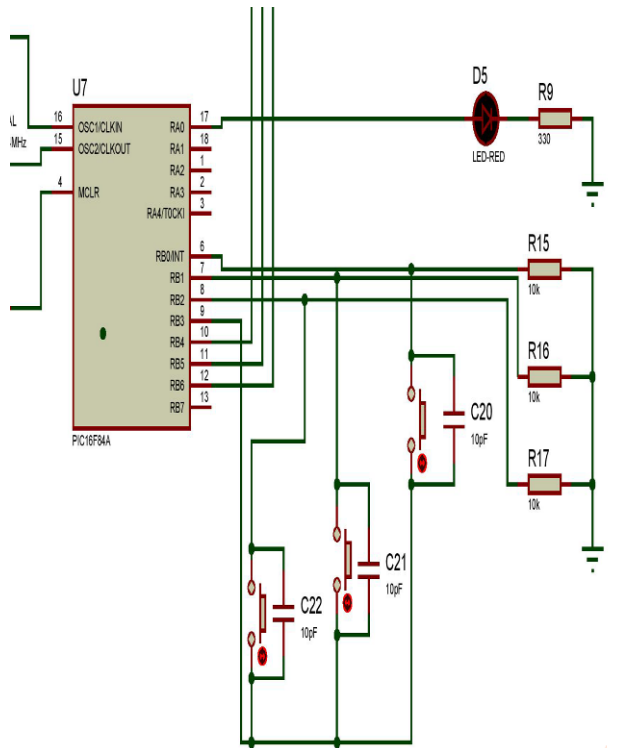


1. Power supply module
2. Commands transformation module
3. Motor control driver
4. Sensor control module

The main components : ULN2804a



CNC Machine Control Unit

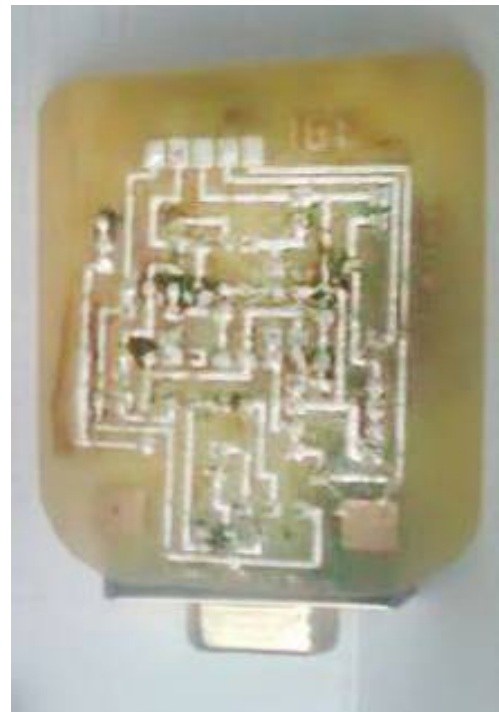
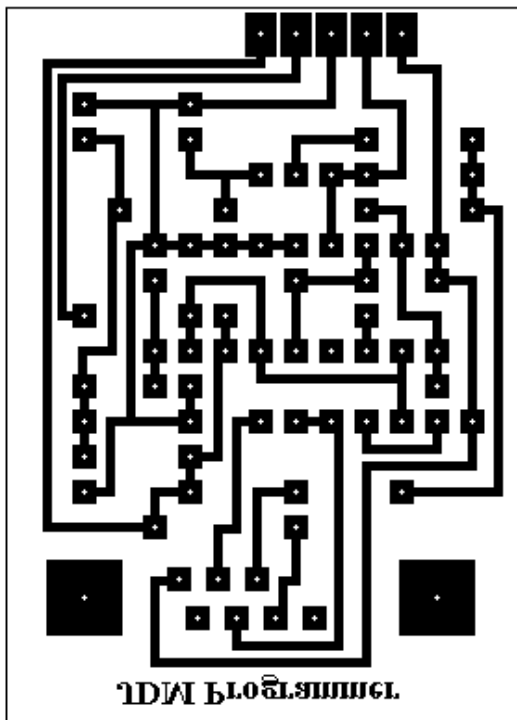


1. Power supply module
2. Commands transformation module
3. Motor control driver
4. Sensor control module

The main components : PIC16F84a



CNC Machine Control Unit

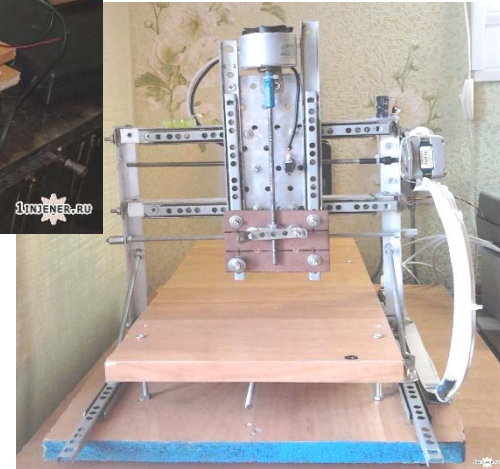
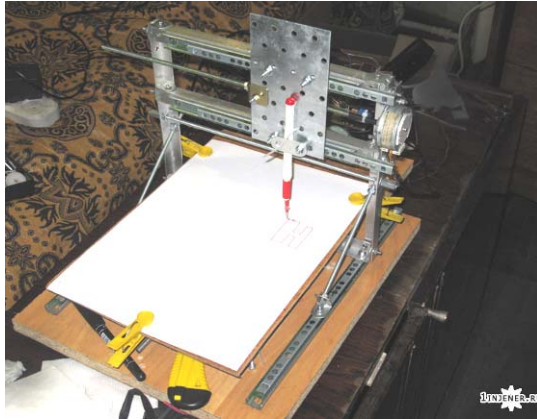


Programming of

PIC12C509A,
PIC16F84,
PIC16F84A,
PIC16F628A
PIC16F877A

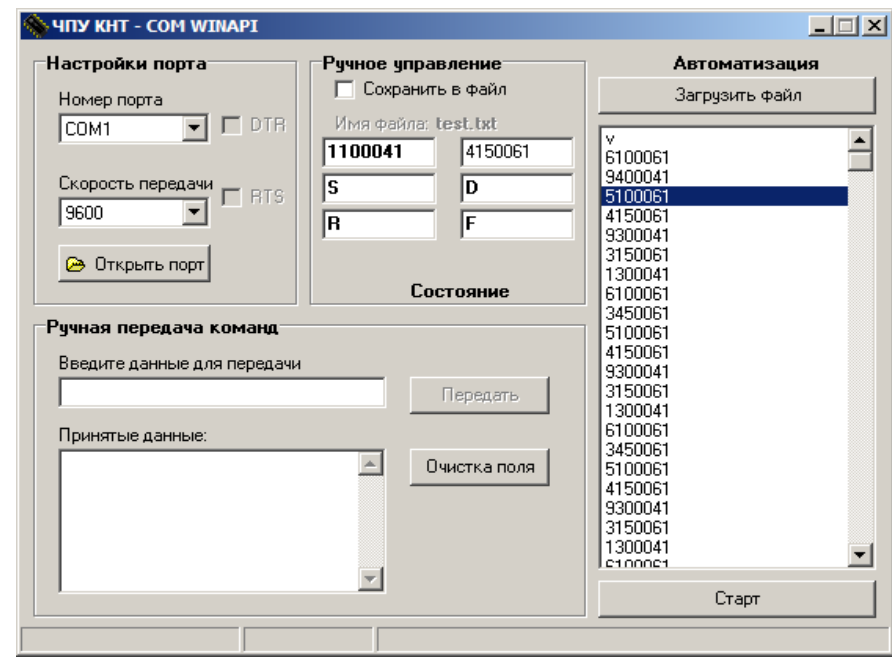
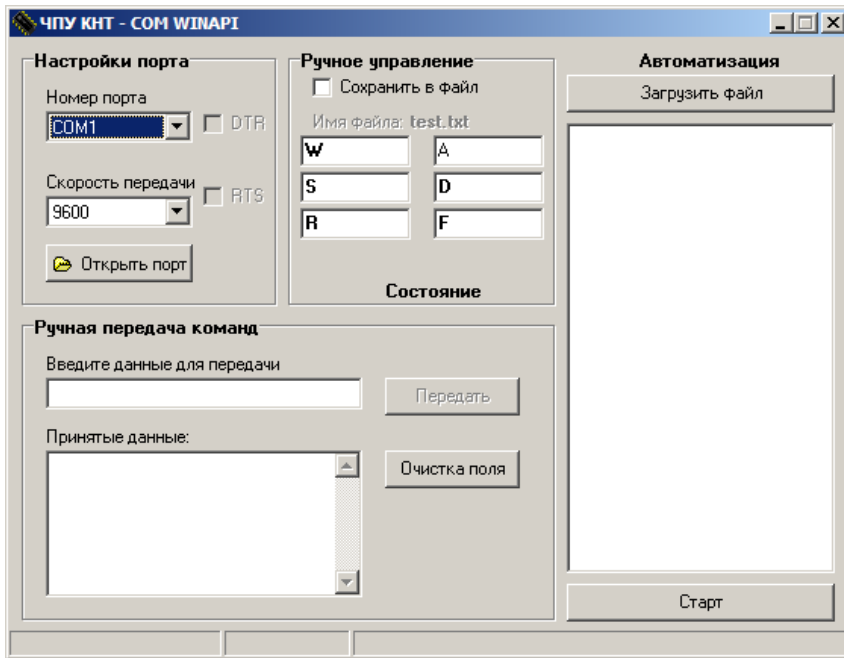


CNC Machine hardware design



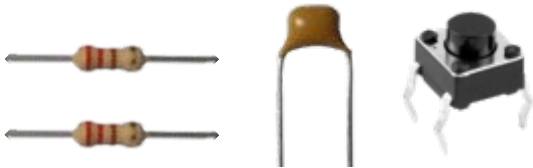


The Test Program



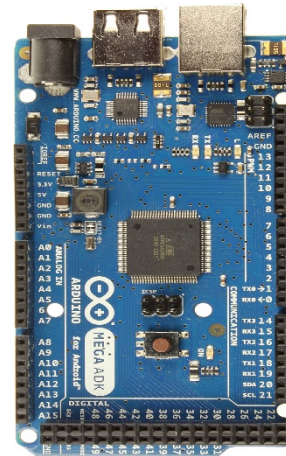
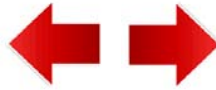


Work in progress



PIC16FXXX

Cheaper, but less quality and
functionality



Arduino



Raspberry Pi

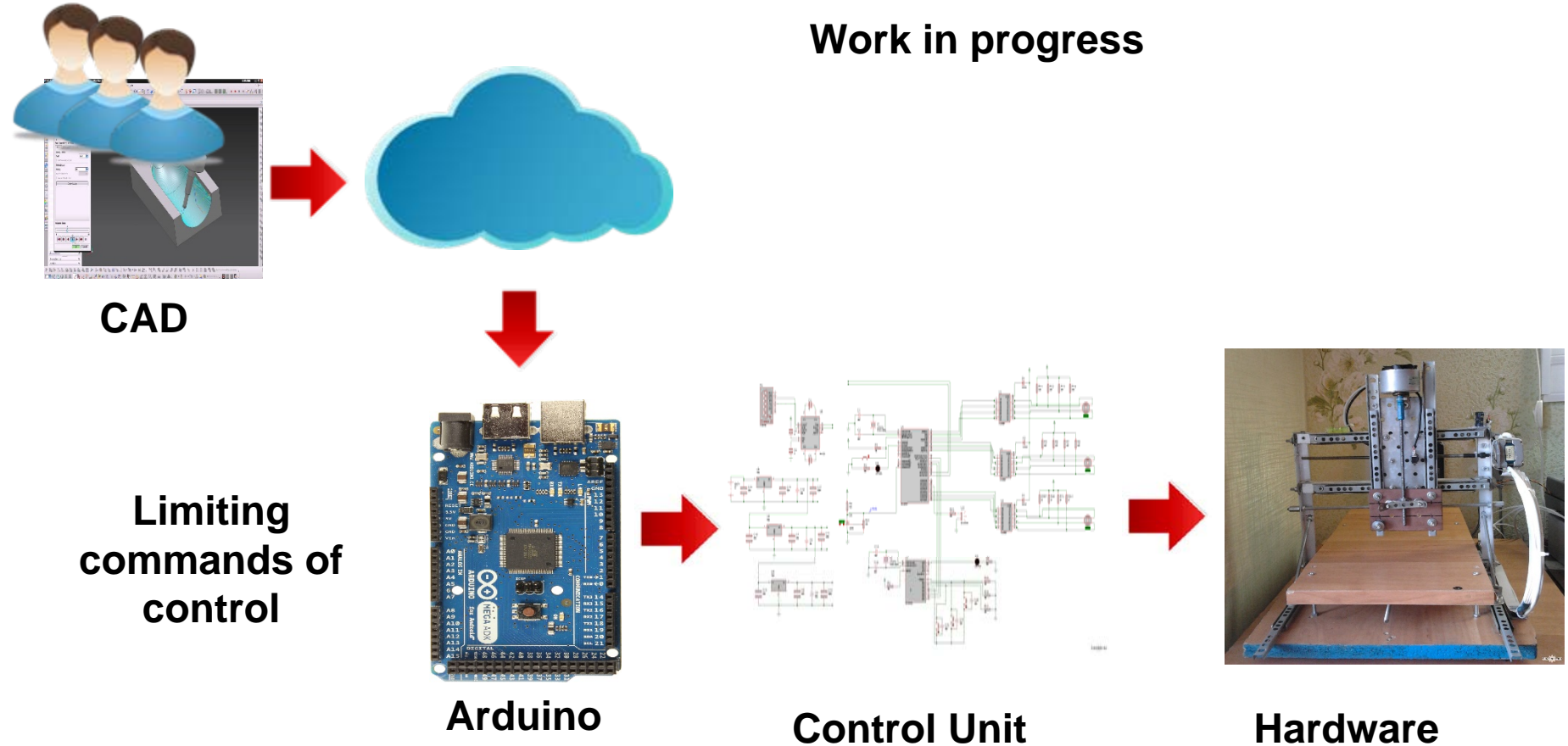


STM32

Expensive, but high quality, more
functionality



Work in progress



CAD

**Limiting
commands of
control**

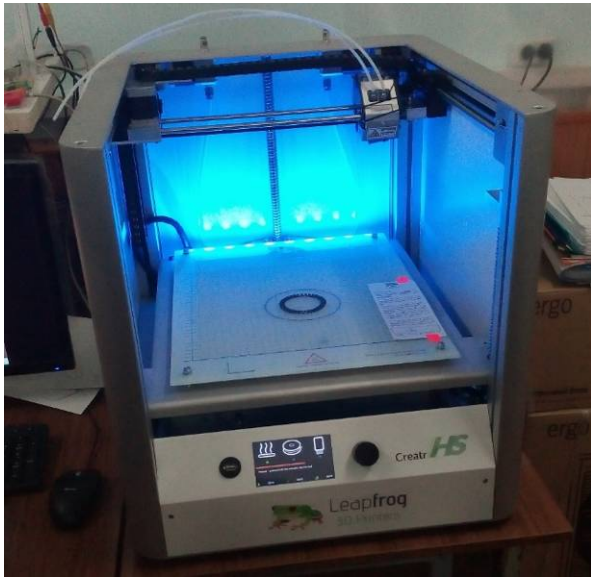
Arduino

Control Unit

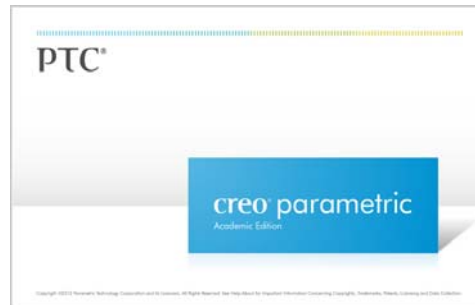
Hardware



Modern tools for design and prototyping



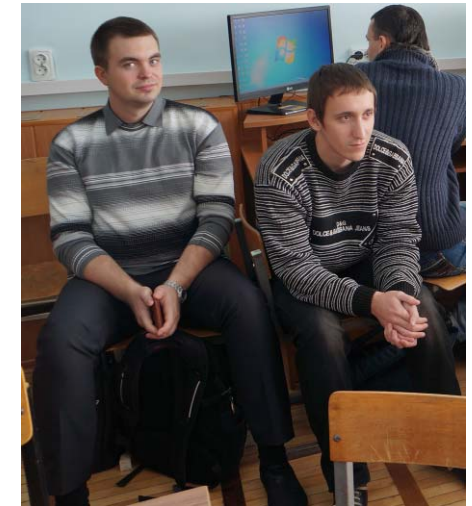
3D printer Leapfrog Creatr HS



PTC® PRODUCT & SERVICE
ADVANTAGE®

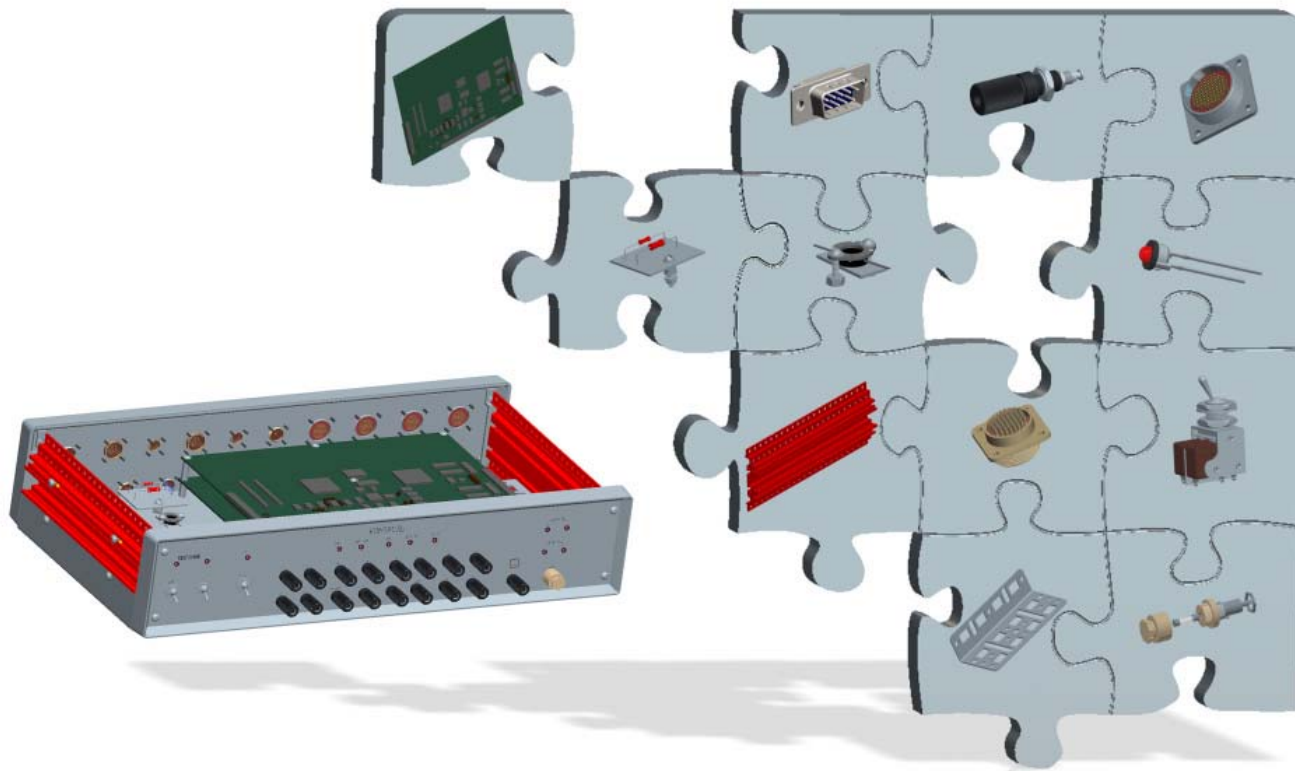


3D scanner Gotcha



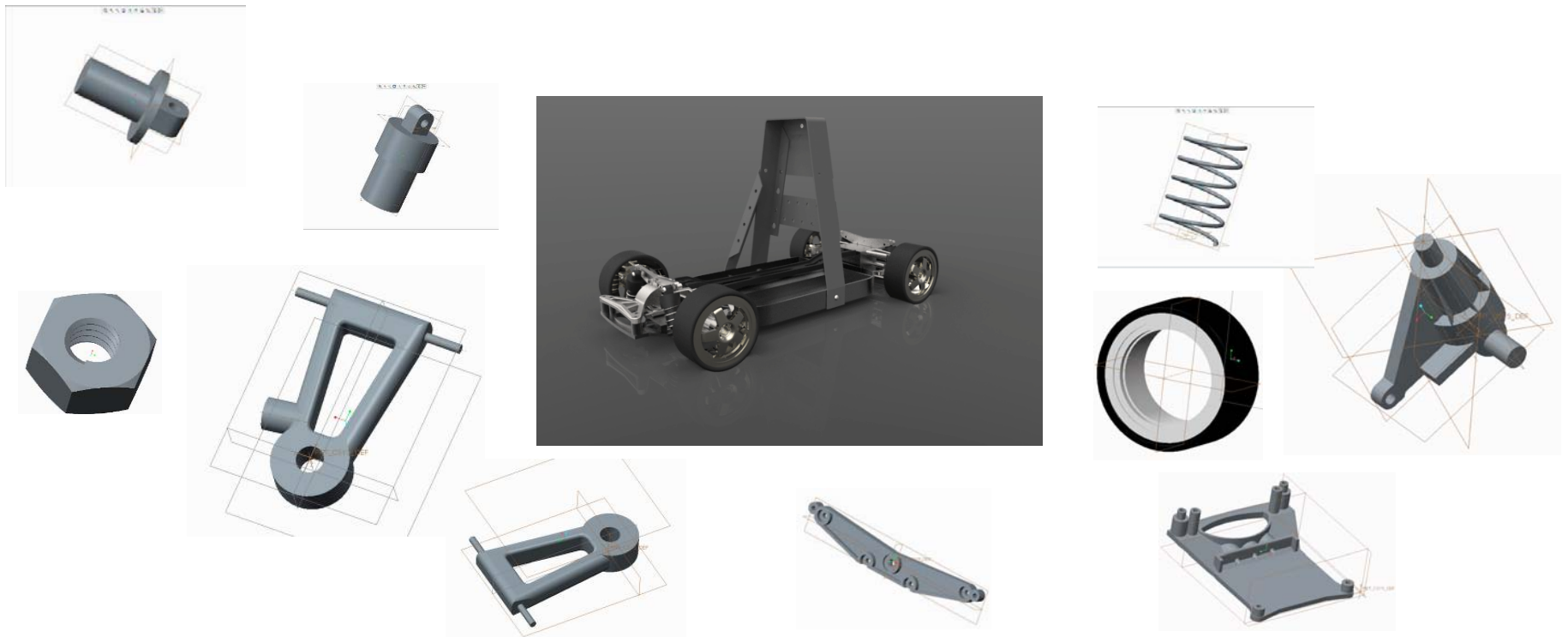


Student integrated project in Creo Elements/Pro 5.0



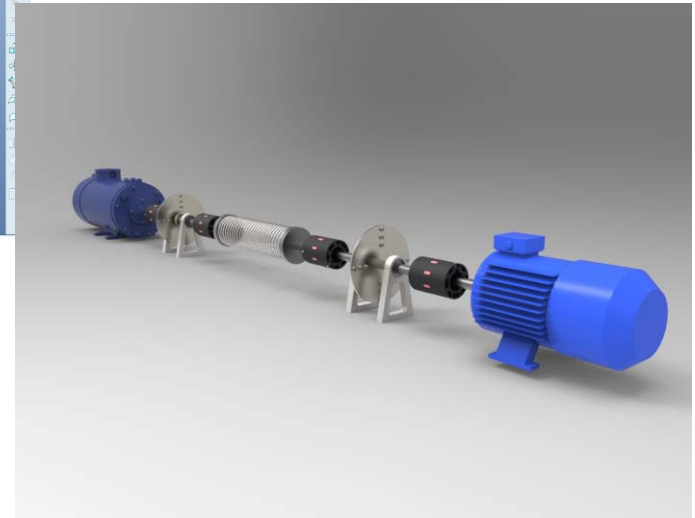
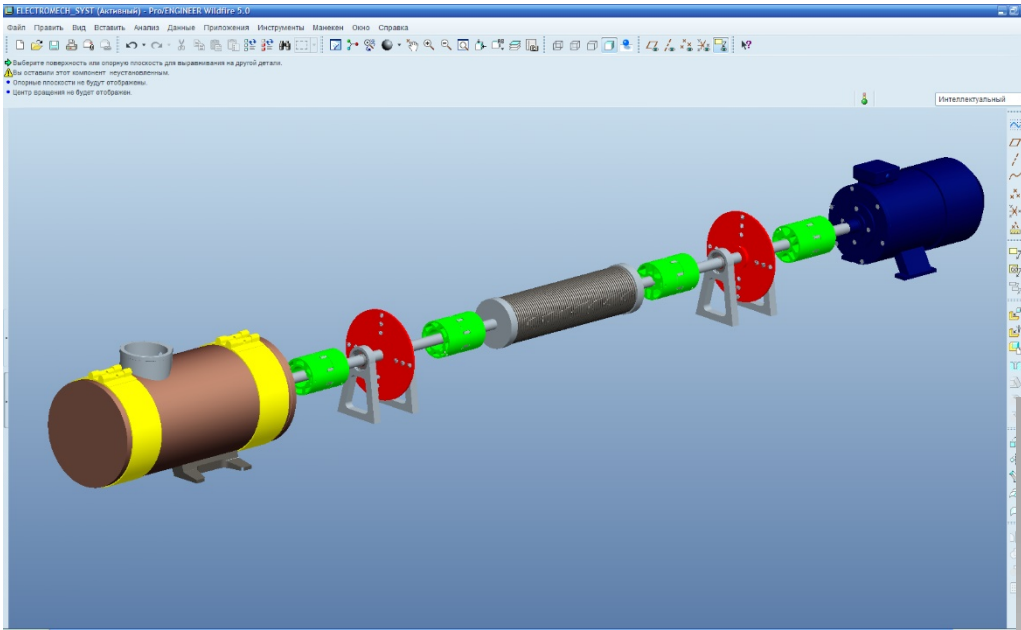


CREO virtual model of car body



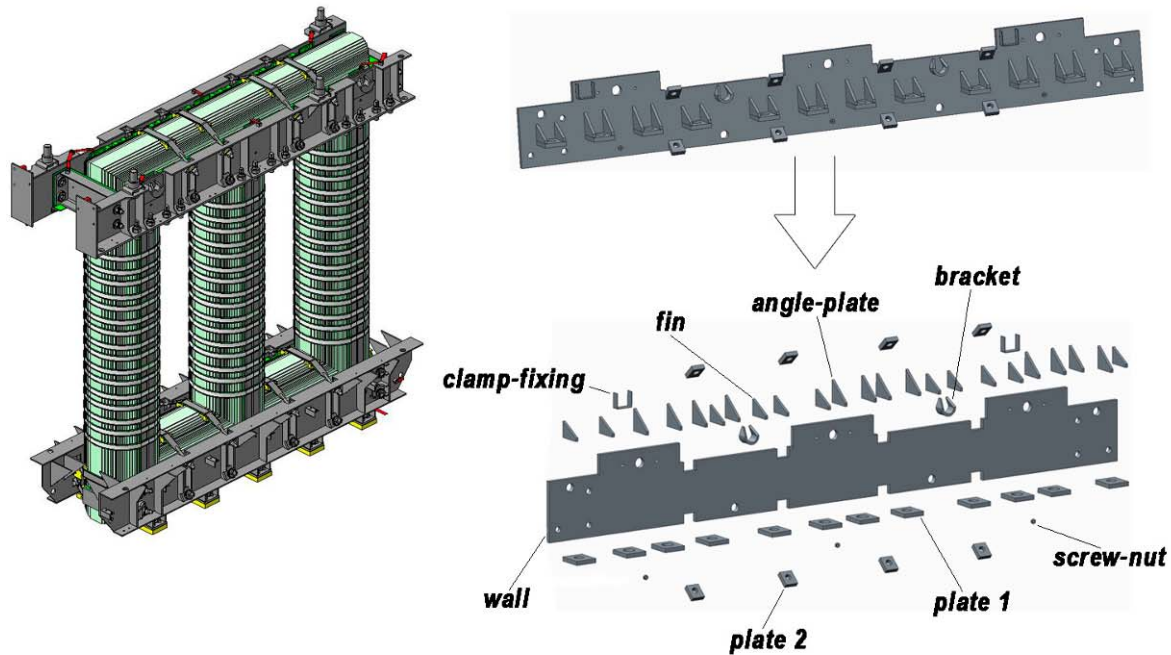


CREO virtual model of electromechanical system



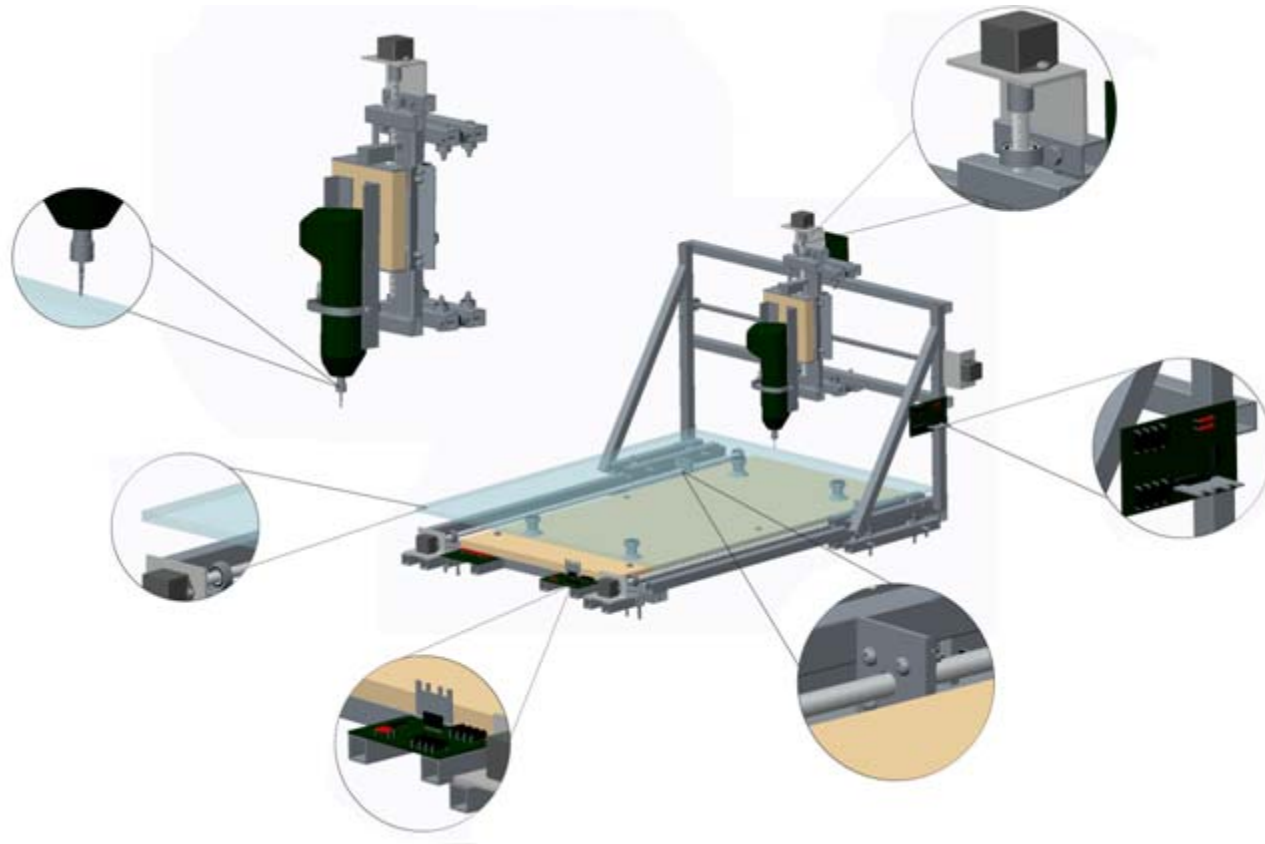


Design of 3D model of transformer beam in Creo 2.0



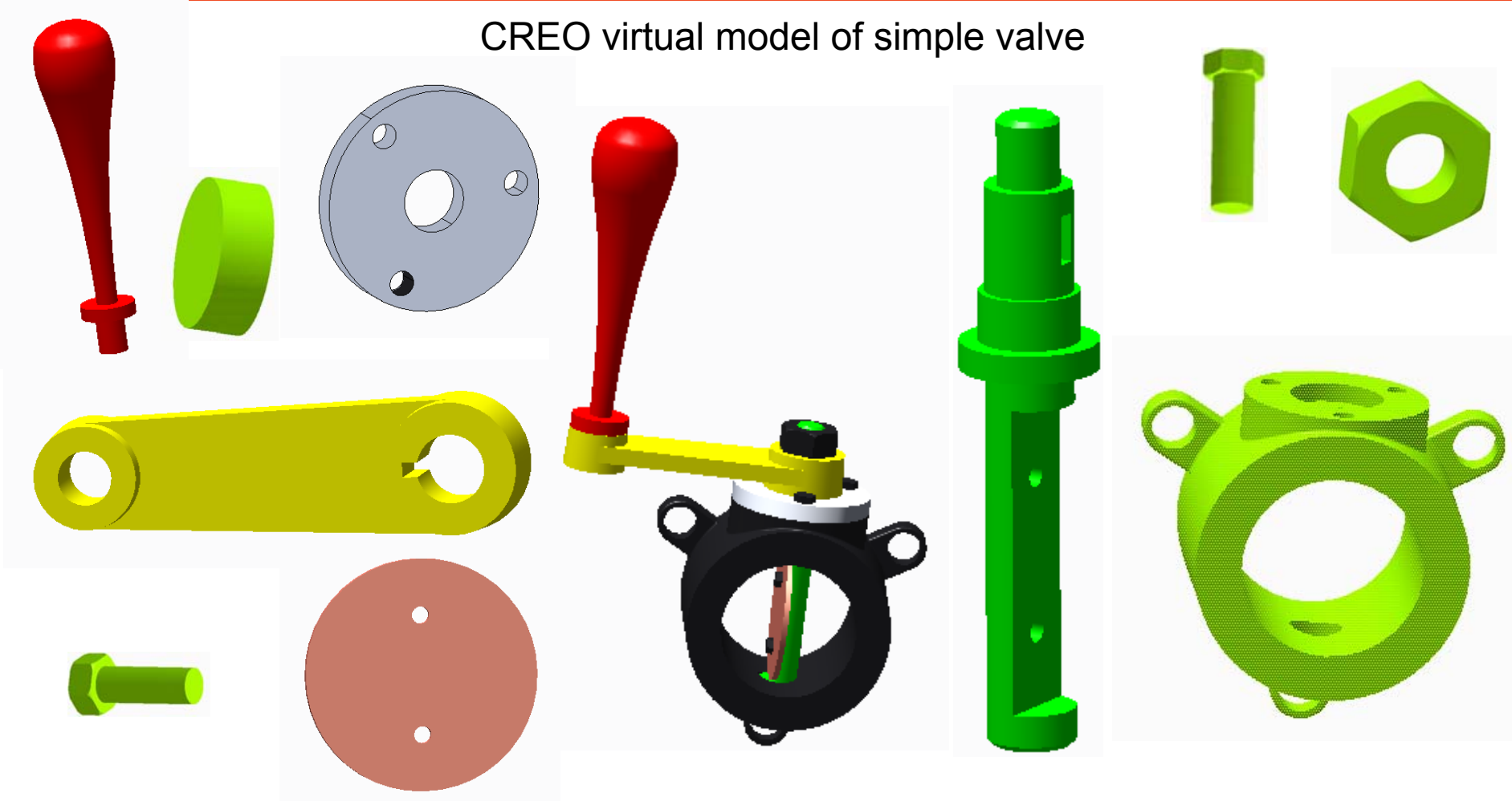


CREO virtual model of CNC machine



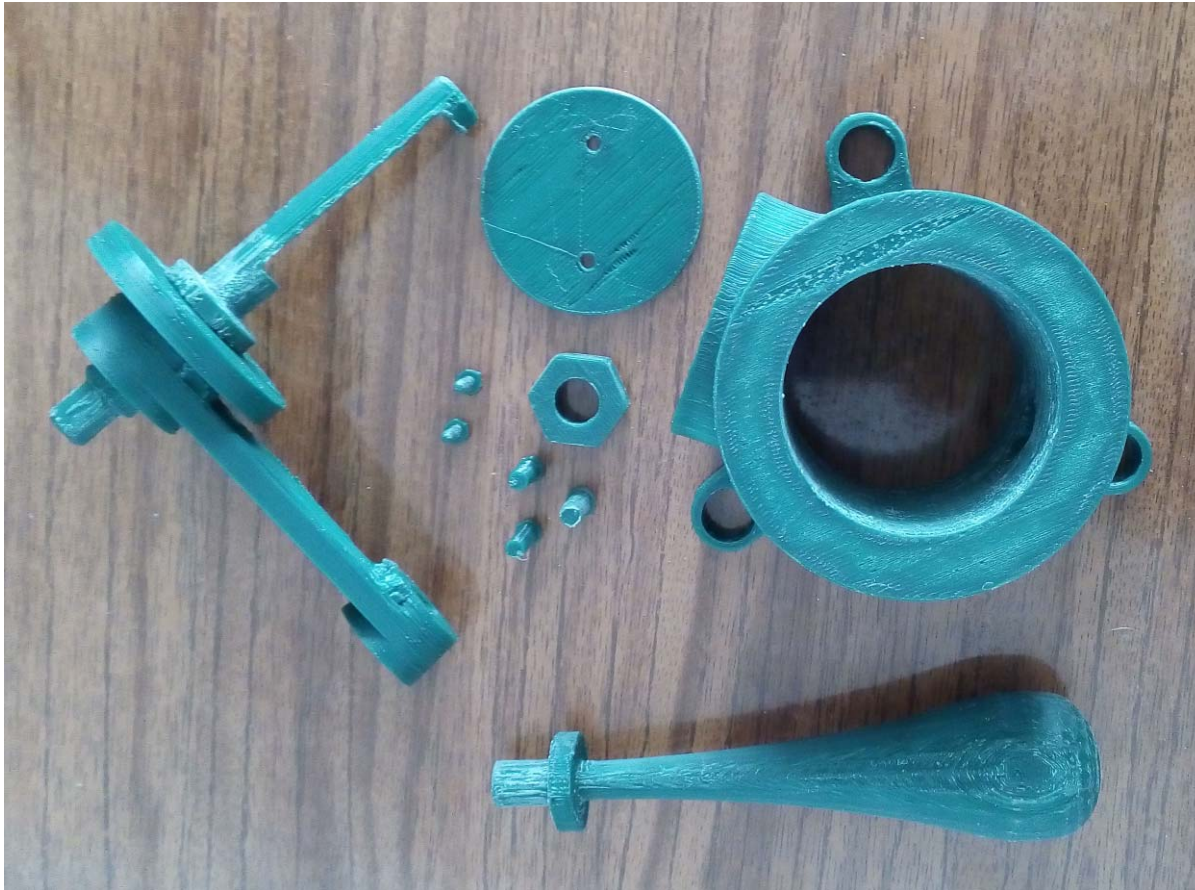


CREO virtual model of simple valve





Printed real valve prototype



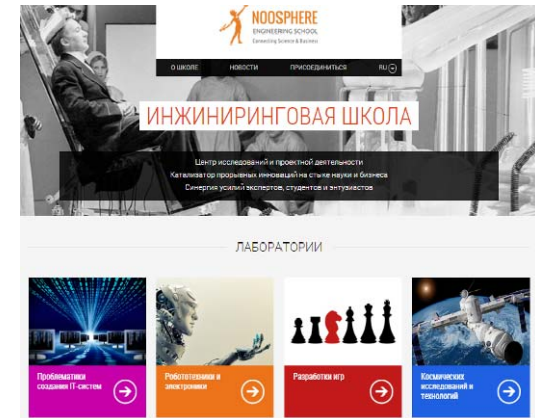
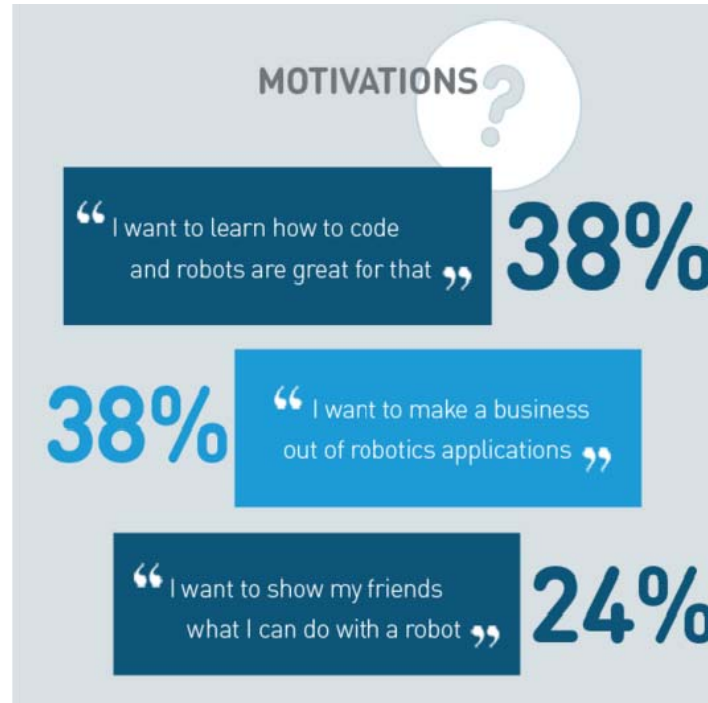


3D printing





We are open for new projects



<https://community.aldebaran.com/en/developerprogram>



Co-funded by the
Tempus Programme
of the European Union

Development of Embeded System Courses with implementation
of Innovative Virtual approaches for integration of Research,
Education and Production in UA, GE, AM



THANK YOU FOR YOUR ATTENTION!



Co-funded by the
Tempus Programme
of the European Union

Development of Eembedded System Courses with implementation
of Innovative Virtual approaches for integration of Research,
Education and Production in UA, GE, AM

Address:

Zaporizhzhya National Technical University
Zhukovskogo Str, 64
Zaporizhzhya
Ukraine 69063

E-mail:

parhom@zntu.edu.ua

Telephone:

+38-061-7698267
(Software Tools Department)
+38-068-4461774
(Anzhelika Parkhomenko)



URL:

<http://zntu.edu.ua/>