

“Vivere est cogitare”



Software Tools Department of Zaporizhzhya National Technical University (ZNTU)





Software Tools Department

Specialties

- Engineering of Software;
- Computer science and Information technologies.

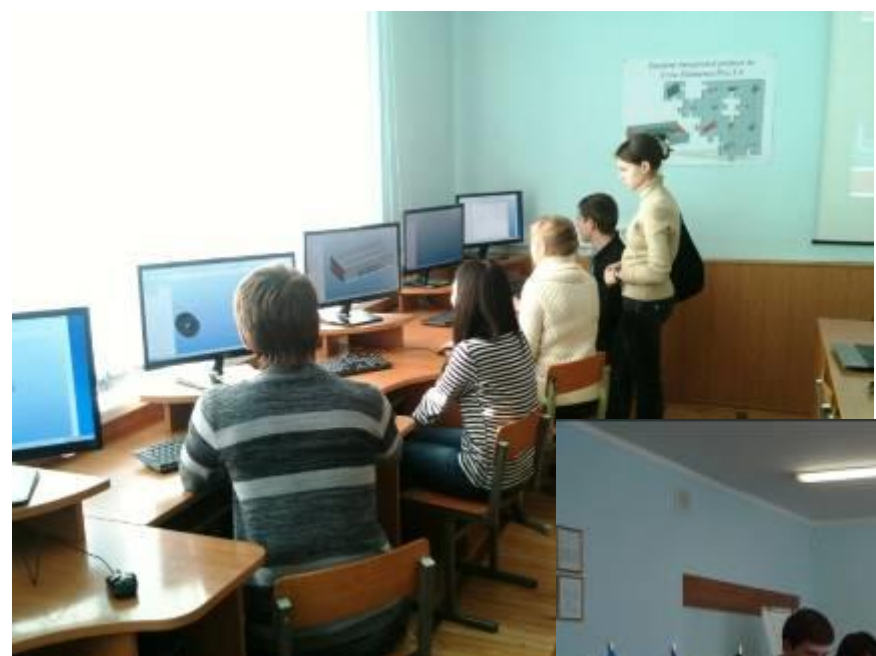
Education levels

- Bachelor;
- Master;
- PhD.

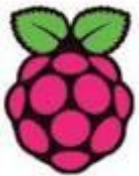




Laboratories of Software Tools Department



New laboratory of Remote Engineering and Embedded Systems



PTC® **PRODUCT & SERVICE ADVANTAGE**®

New research groups in Software Tools Department

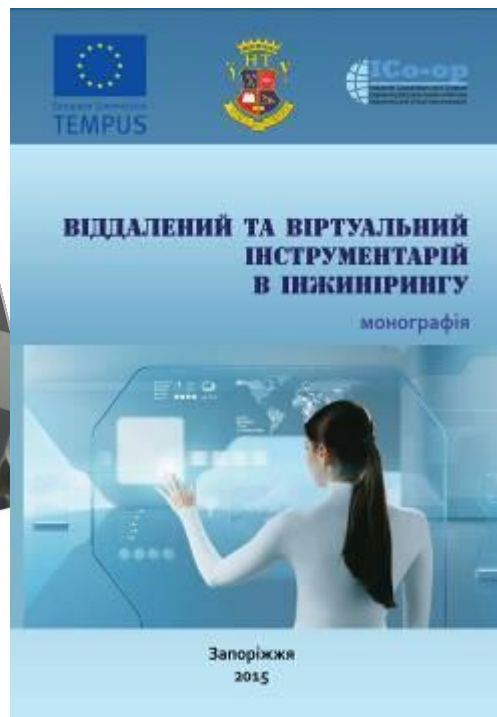


**ISRT team (Informational
system reliability team)**

**RELDES team (REmote Laboratory
for Design of Embedded Systems)**



Dissemination and publications of our results



Internship activities of our staff




TECHNISCHE UNIVERSITÄT
ILMENAU




Galyna Tabunshchyk
at TU Ilmenau

(grant of Ministry of Education and Science
Of Ukraine)

CARINTHIA
UNIVERSITY
OF APPLIED
SCIENCES

FACHHOCHSCHULE
KÄRNTEN



Olga Gladkova

at CUAS (grant of Austrian Agency
for International Cooperation
in Education and Research)

Guest Lectures



ZAPORIZHZHYA NATIONAL TECHNICAL UNIVERSITY

Guest Lecture

Workshop

DesIRE

on the VHDL basics
by Ing. Dirk Van Merode MSc.

Co-funded by the Tempus Programme of the European Union

October 16, 2015
Software Department
building III, room 57
10:05 a.m.

Goal

- To explain the use of hardware description languages.
- To allow the participants basic logic gates, combinatory logic and sequential logic with the use of VHDL on a Xilinx FPGA-board.
- To introduce the ISE software.

Abstract

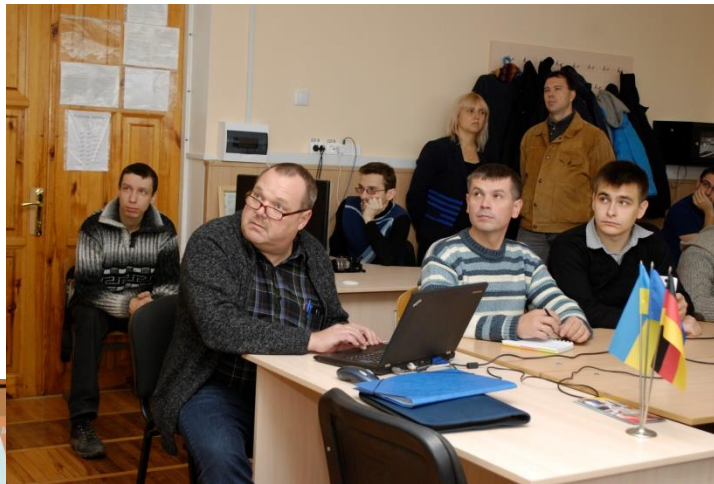
FPGA's in embedded systems are omnipresent. They are used in a number of applications, being it ASIC-design for chip-emulation and fast time-to-market, being it in high-data-throughput telecommunication and Digital Signal processing. To work and to teach Digital System Design with FPGAs is rather complex, due to the fact that the principles behind describing hardware are somewhat different with traditional programming software. In this view, it is a good idea to start off with basic gates, to get a fundamental knowledge on the way these interesting components work.

About the Speaker

In 2002 Dirk Van Merode finished his engineering studies in Electronics to become a Master in Science. His first educational experience was in secondary education in electricity and electronics. He then he certified in pedagogical aptitude. Dirk moved to Leuven University College, currently renamed Thomas More University College, in 2007, to take up a teaching assignment and to do research. His field of expertise is in digital systems design, printed circuit board design and production, and audio-video production. Research topics are mainly



64, Zhukovskogo s.
Zaporizhzhya
+380(91) 769 82 62
galina.sabunshchik
www.zntu.edu.ua



ZAPORIZHZHYA NATIONAL TECHNICAL UNIVERSITY

Guest Lecture

DesIRE

CREO as a tool for virtual prototyping
by Dr Ing Peter Arras, PhD

Co-funded by the Tempus Programme of the European Union

October 15, 2015
Software Department
building III, room 57
10:05 a.m.

Goal

- To explain the process of integrated mechanical design and virtual prototyping.
- To introduce the CREO-design software and training modules.

Abstract

Mechanical design switched from drawing oriented to model oriented design over the last decade. In a model oriented design you make a virtual prototype in the design software in which the design has all properties of the real object and behaves as the real object. This allows for virtual prototyping and testing, and the need for shorter and more robust design cycles. Less physical prototypes are necessary or can sometimes be completely eliminated, saving in time and costs.

CREO (PTC) is a state of the art 3D-design software incorporating all possibilities for an integrated design: CAD, manufacturing (CAM), simulation (FEA, Multi-body Simulation) approach in mechanical engineering.

About the Speaker

Dr Ing Peter Arras, 42 years, faculty of engineering technology, graduated as engineer in electrical machine at the RWTH Aachen University in 1988, the received the PhD degree in 2004 as the chairman of Simulation the Professor in Vero (Dassault Systemes) on remote site in training of natural sciences. Dr Ing Peter Arras worked as a lecturer for manufacturing technology and design for mechanical design, solid state design in the engineering faculties and master degree program in the field of mechanical design and simulation. He is currently responsible for the contents of the master in engineering in electric machines at the technology center Dr. Ing. Peter Arras, and mechanical construction for the center of engineering. On the laboratory level he organized for 14 years training courses for mechanical design for technical students and for 10 years preparing for engineers and designers in the use of CAD-Software in international projects for real tool production for tempus NCE, tempus CREO, tempus PROENG and the Erasmus Mundus MANICA project.



Students internship 2016-2020



DAAD

Deutscher Akademischer Austausch Dienst
German Academic Exchange Service

**Fachhochschule
Dortmund**

University of Applied Sciences and Arts



thi

KU LEUVEN




Funded by the
Erasmus+ Programme
of the European Union



Our E-learning resources



Moodle ЗНТУ Українська (uk) Всі інші профілі користувачів (0)

СИСТЕМА ДИСТАНЦІЙНОГО НАВЧАННЯ MOODLE ЗНТУ  Moodle

На головку » Курси

НАВІГАЦІЯ »

- На головку
- Новости сайта
- Курси

Пошук ключів:

» Завантажити файл

- » Пілотне навчання за планом міжнародного проєкту TEMPUS DesIRE
- » Пілотне навчання за планом міжнародного проєкту TEMPUS ICo-op
- » Факультет комп'ютерних наук і технологій
- » Факультет економіки і управління
- » Гуманітарний факультет
- » Факультет радіоелектроніки та телекомунікацій
- » Електротехнічний факультет
- » Машинобудівний факультет
- » Транспортний факультет
- » Інженерно-фізичний факультет
- » Факультет управління фізичною культурою та спортом
- » Гуманітарно-правовий факультет
- » Факультет міжнародного туризму та управління

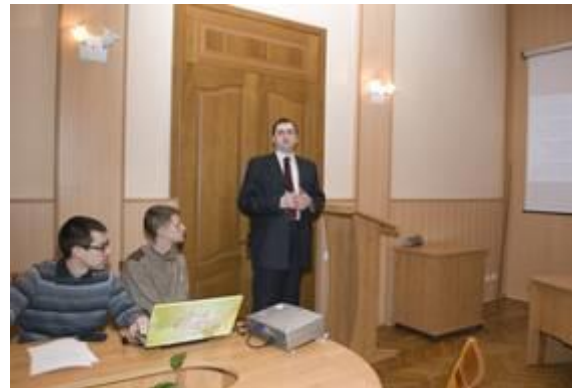


<http://moodle.zntu.edu.ua/>

International projects TEMPUS/ERASMUS+



CERES



<http://zntu.edu.ua/vzaiemodiya-proektiv-tempus-u-zntu>

Our team SETUP - WORLD CHAMPIONS of ACM semifinal and UKRAINE FINAL!



Ministry of Education and Science of Ukraine
Certificate of Achievement

awarded to
Zaporizhzhia National Technical University

Yevgen Zadorozhnyi
Andrey Bezonov
Victoria Kosarenko
Coach: Natalia Myronova

First place

The 2015 Open All-Ukrainian Collegiate
Programming Contest
Vinnytsia, UKRAINE October 17, 2016

Ukrainian State University of Science and Technology (ASDIT)
AM-SOFT
V.V. Grabko, Prof., Dr.Sc.,
Head of the Organizing Committee, Rector of VNTU

Certificate of Achievement

awarded to
Zaporizhzhia National Technical University

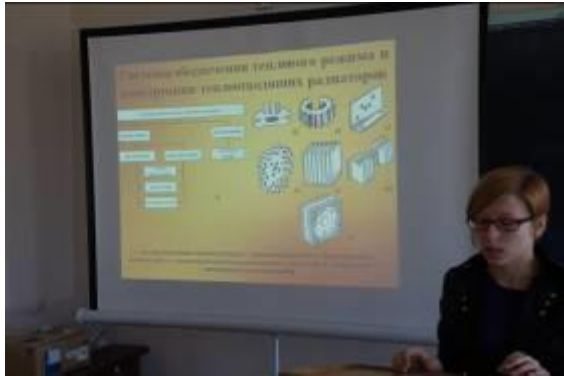
Yevgen Zadorozhnyi
Andrey Bezonov
Victoria Kosarenko
Coach: Natalia Myronova

First place
Vinnytsia site
ACM SEERC 2015
Vinnytsia National Technical University, Ukraine 17 Oct 2015

William B. Poucher
William B. Poucher, Ph. D.
ICPC Executive Director

15-18 October, 2015, VNTU, Vinnytsya

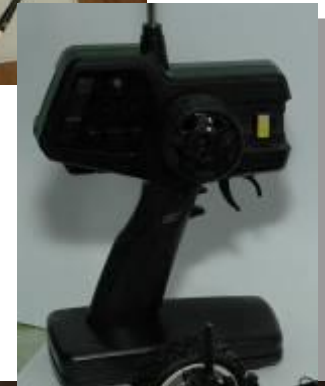
Annual students scientific conferences



Students projects



FPV auto project



Students projects



RELDES – REmote Laboratory for Design of Embedded Systems

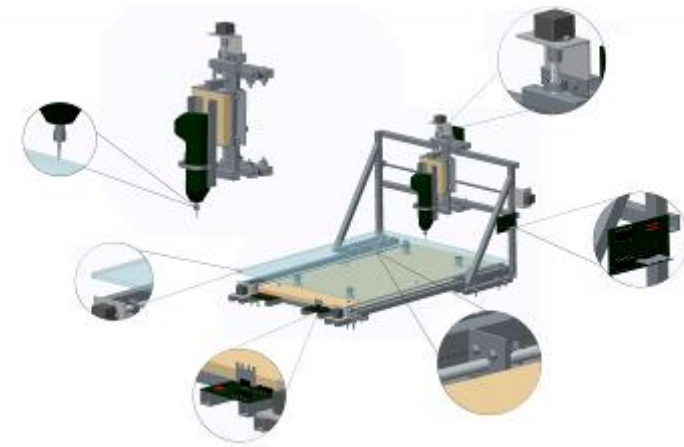
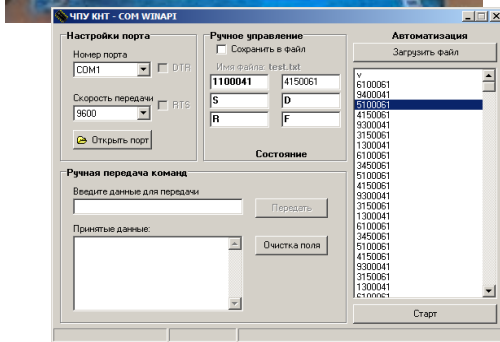
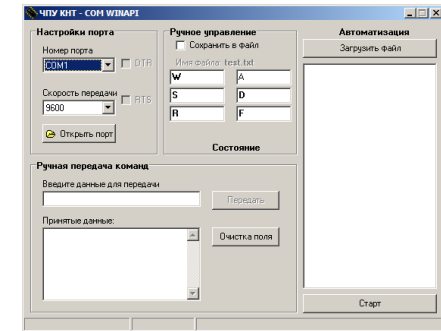
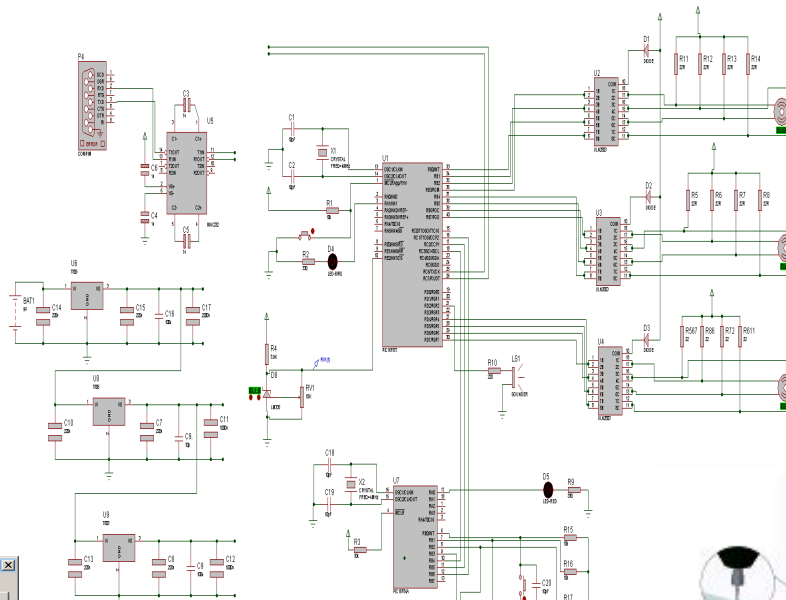


<http://youtu.be/u2anq--UYFg>

Students projects



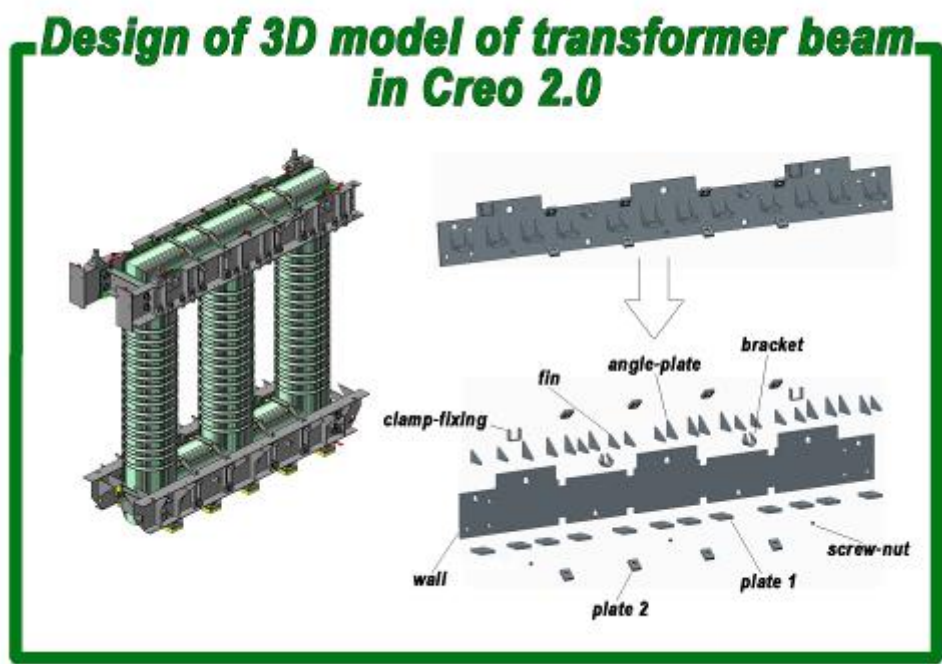
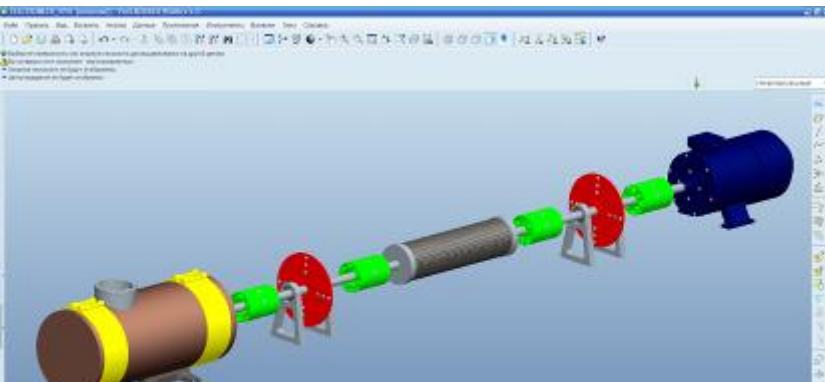
CNC machines



Students projects



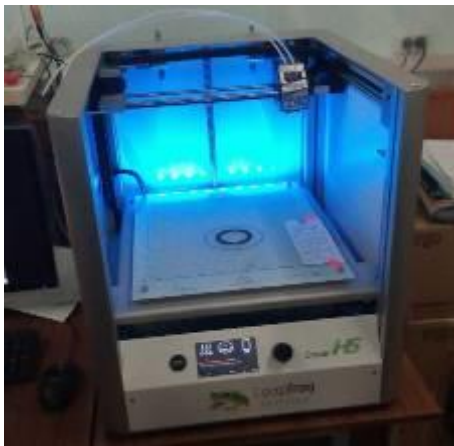
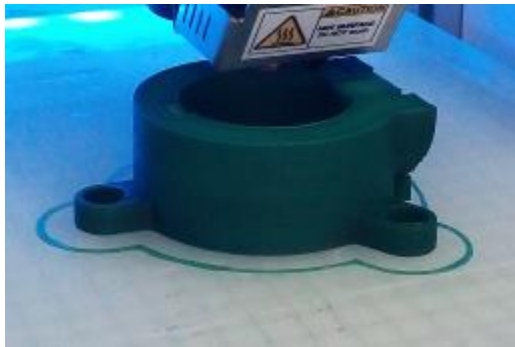
Modern tools for design and prototyping



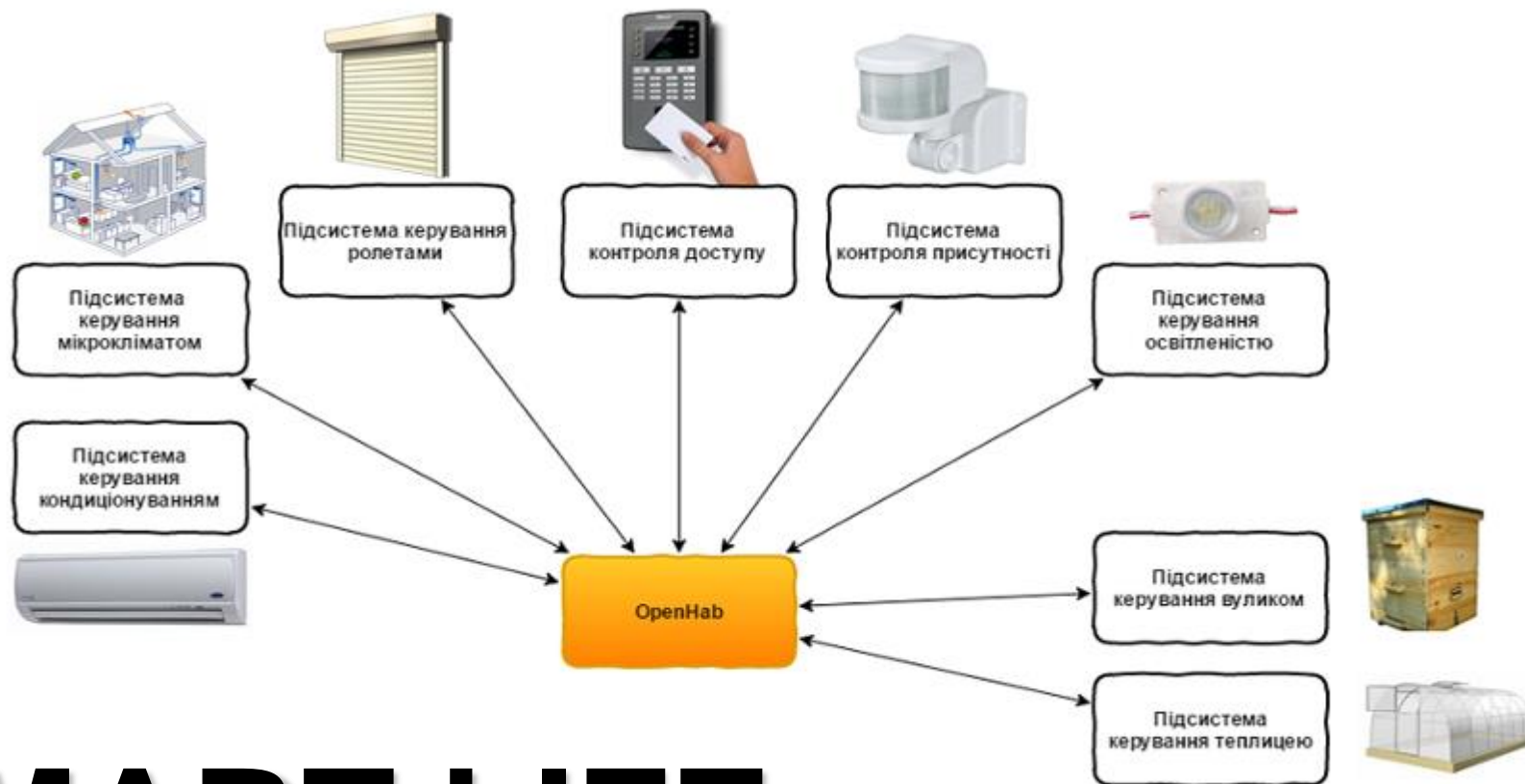
Students projects



Modern tools for design and prototyping



Students projects



SMART-LIFE

Collaboration with IT companies



Contact information



Address:

Zaporizhzhya National Technical University
64 Zhukovskogo Str.,
Zaporizhzhya, 69063
Ukraine

E-mail:

kafedra_pz@zntu.edu.ua

Telephone:

+38-061-7698267
(Software Tools Department)

<http://pz.zntu.net/>

<http://zntu.edu.ua/kafedra-programnih-zasobiv>

